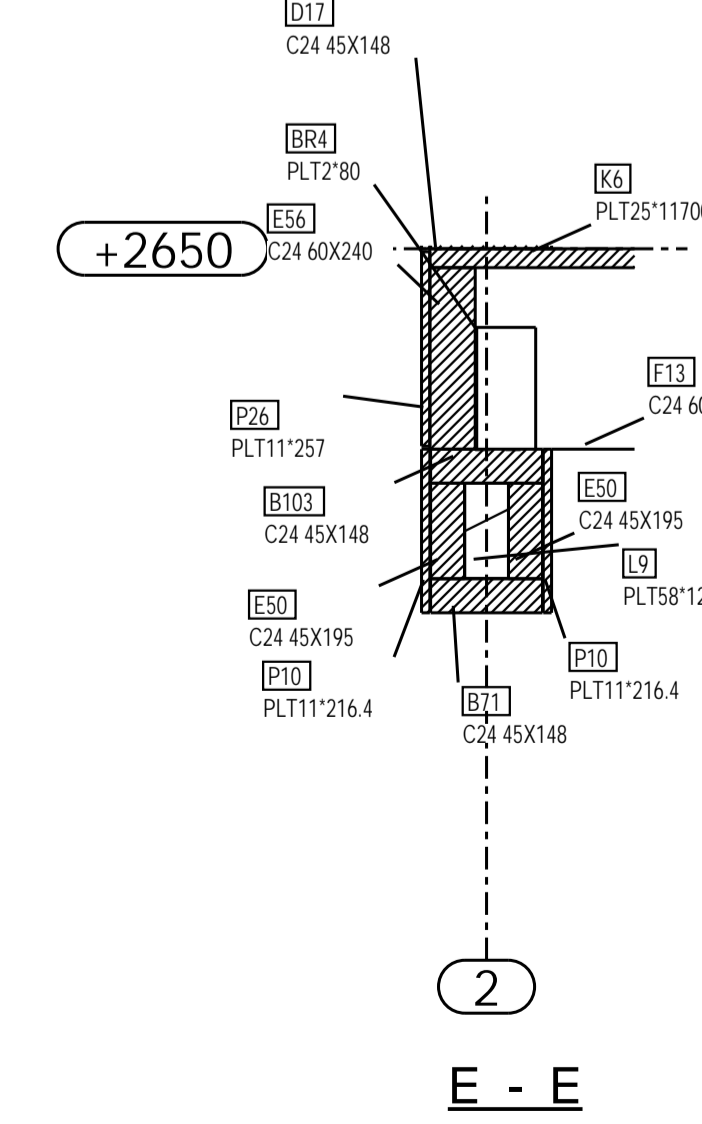
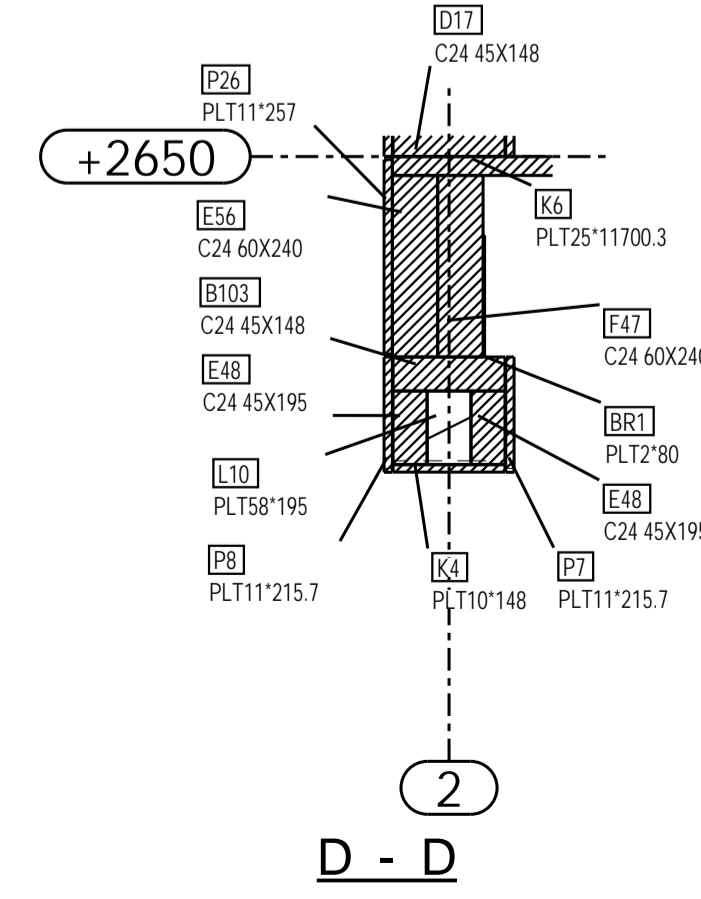
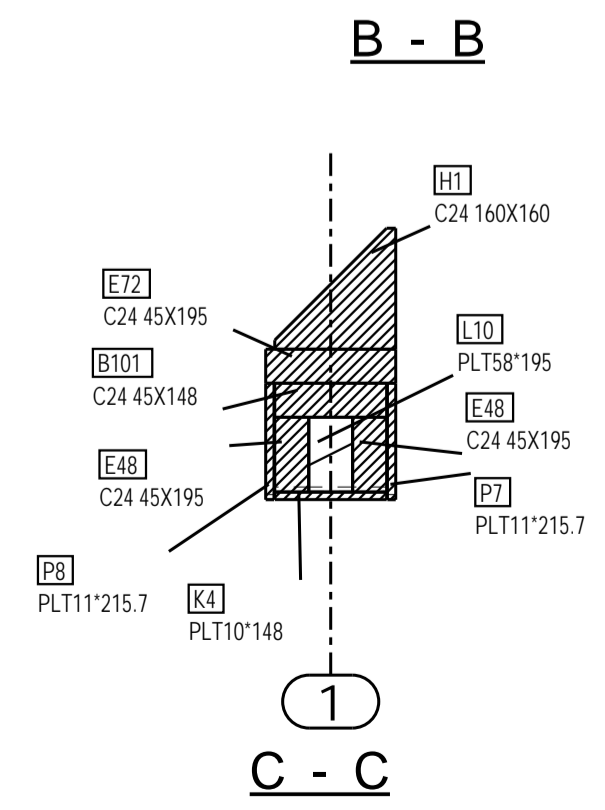
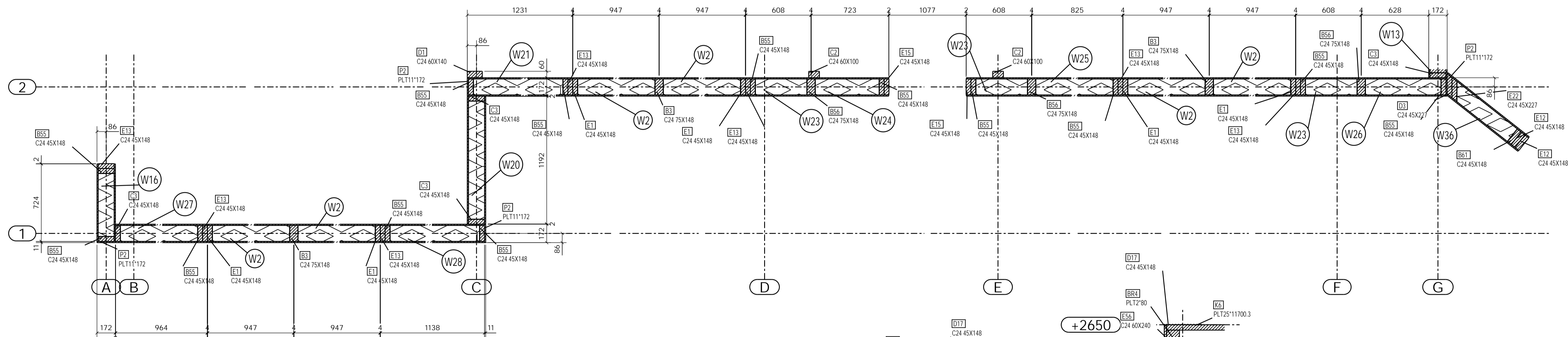


GROUND FLOOR WALLS (GRID LINE 1&2)



1	CONSTRUCTION ISSUE	23.06.2017
REV MARK	REVISION DESCRIPTION	REVISION DATE
MAG SIP PANEL		
TADLEY, UK		
DRAWING TITLE	GROUND FLOOR WALLS (GRID LINE 1&2)	
CONTRACT BY	PROPOSED REPLACEMENT HOME	
MODELLED BY	RAFAL RYZYK	ISSUE DATE
CONTRACT NO	17-001	SCALE 1:10 1:20
DRAWING No		REVISION No. 1