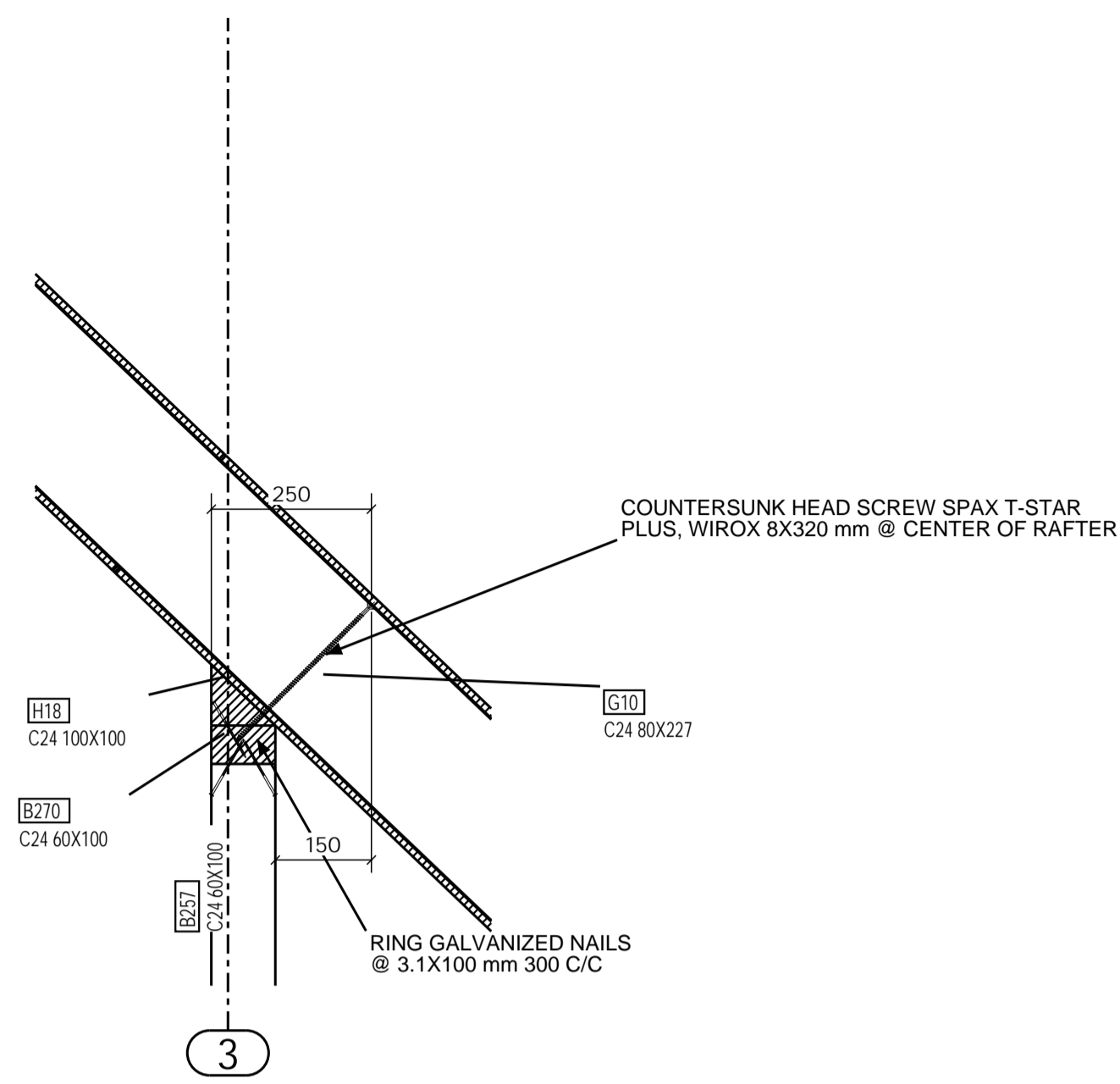
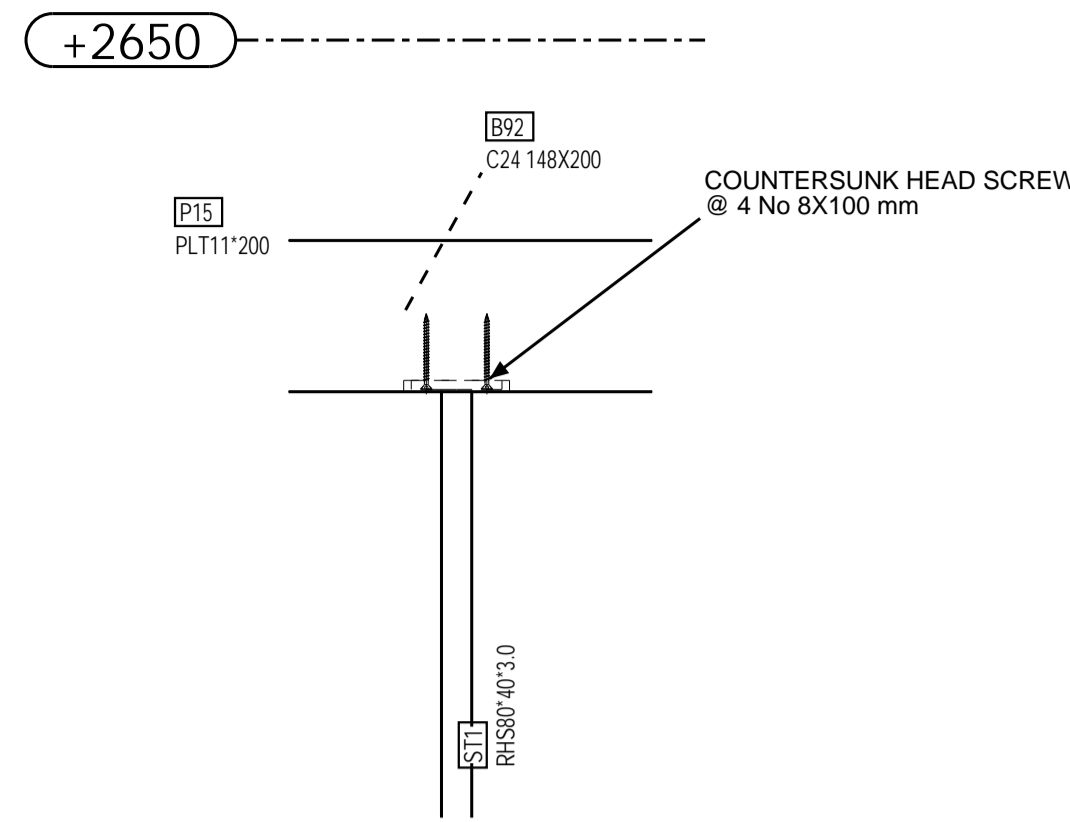


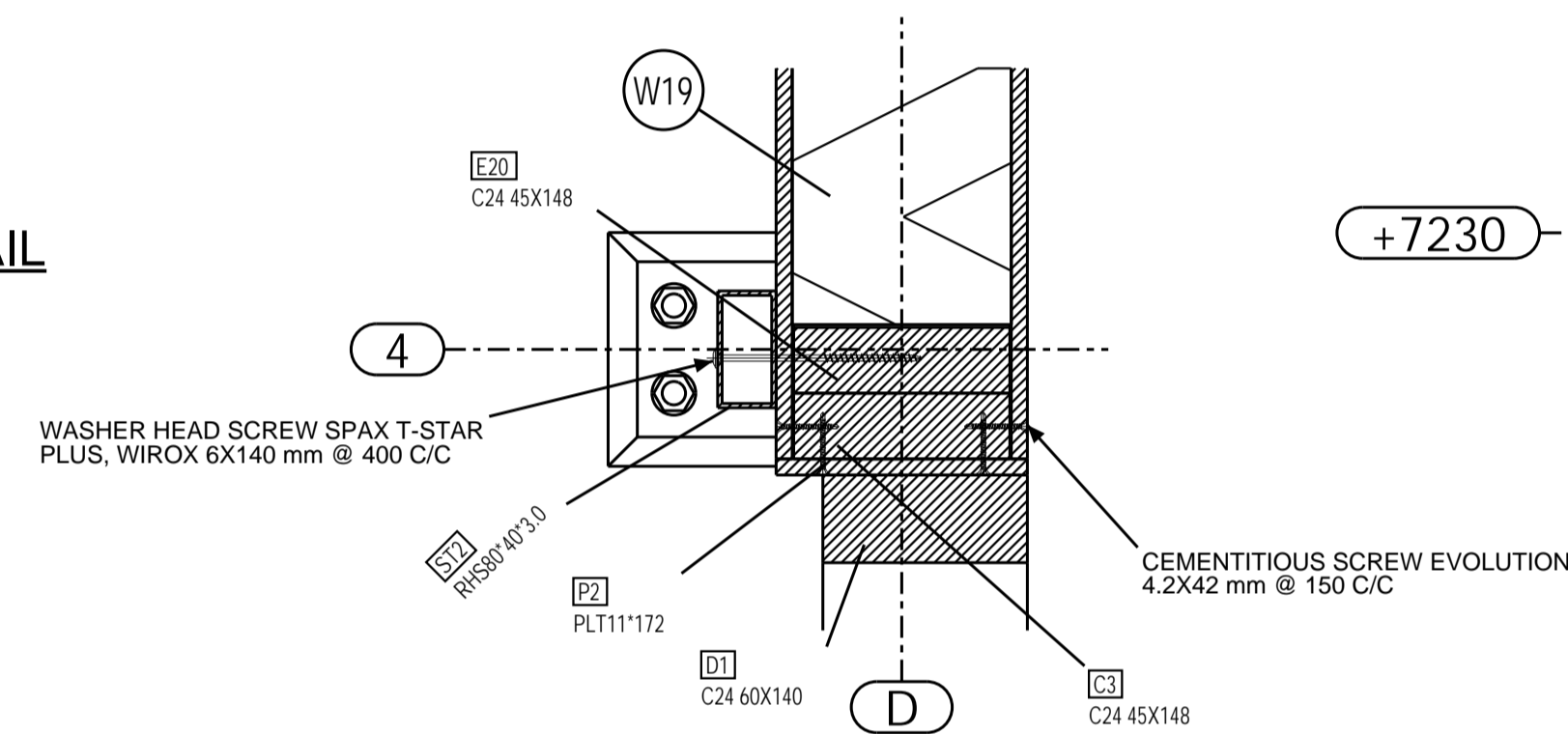
ROOF MGO SIP CONNECTION WITH 100 mm STUD WALL - STANDARD DETAIL



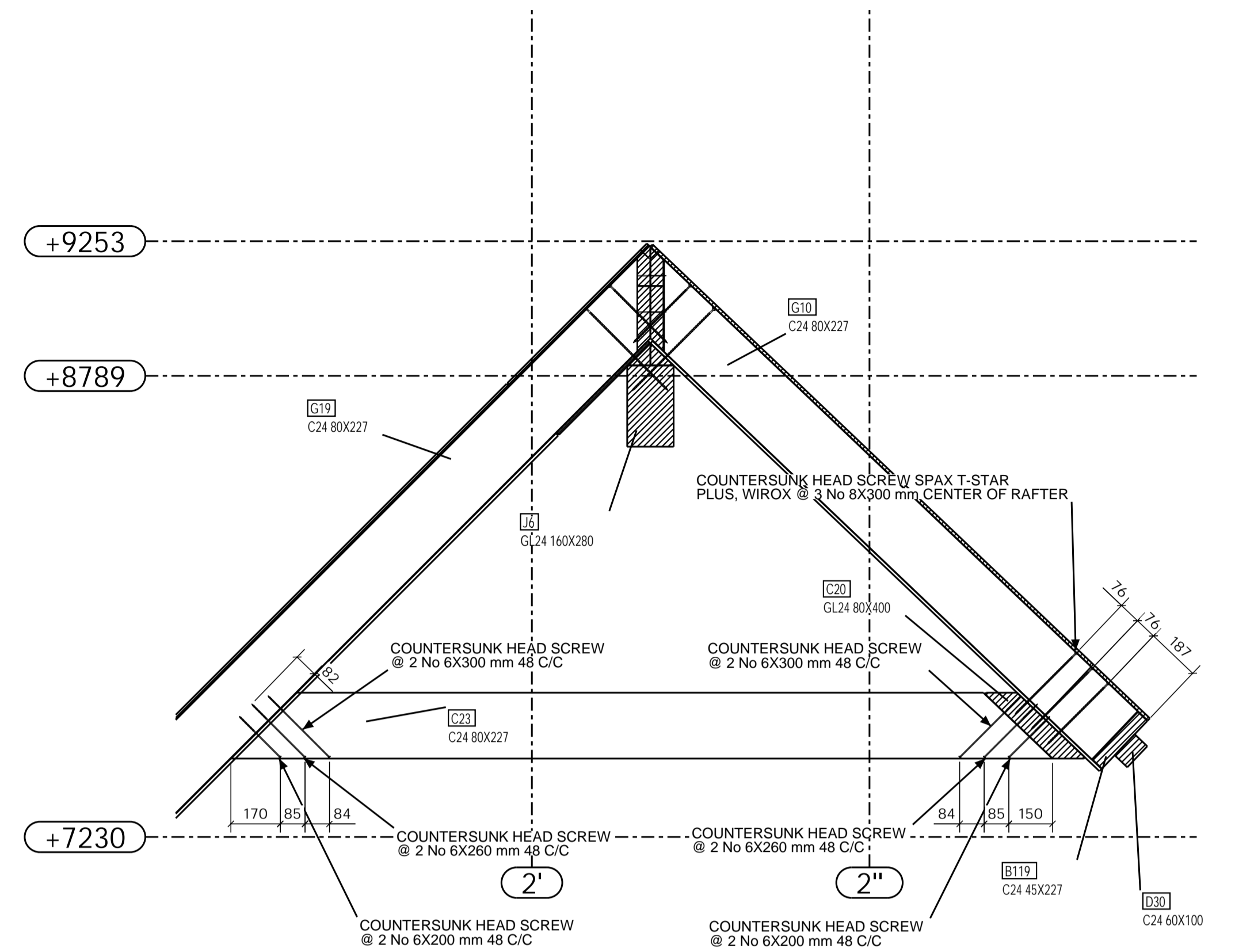
RAFTER CONNECTION WITH 100 mm STUD WALL - STANDARD DETAIL



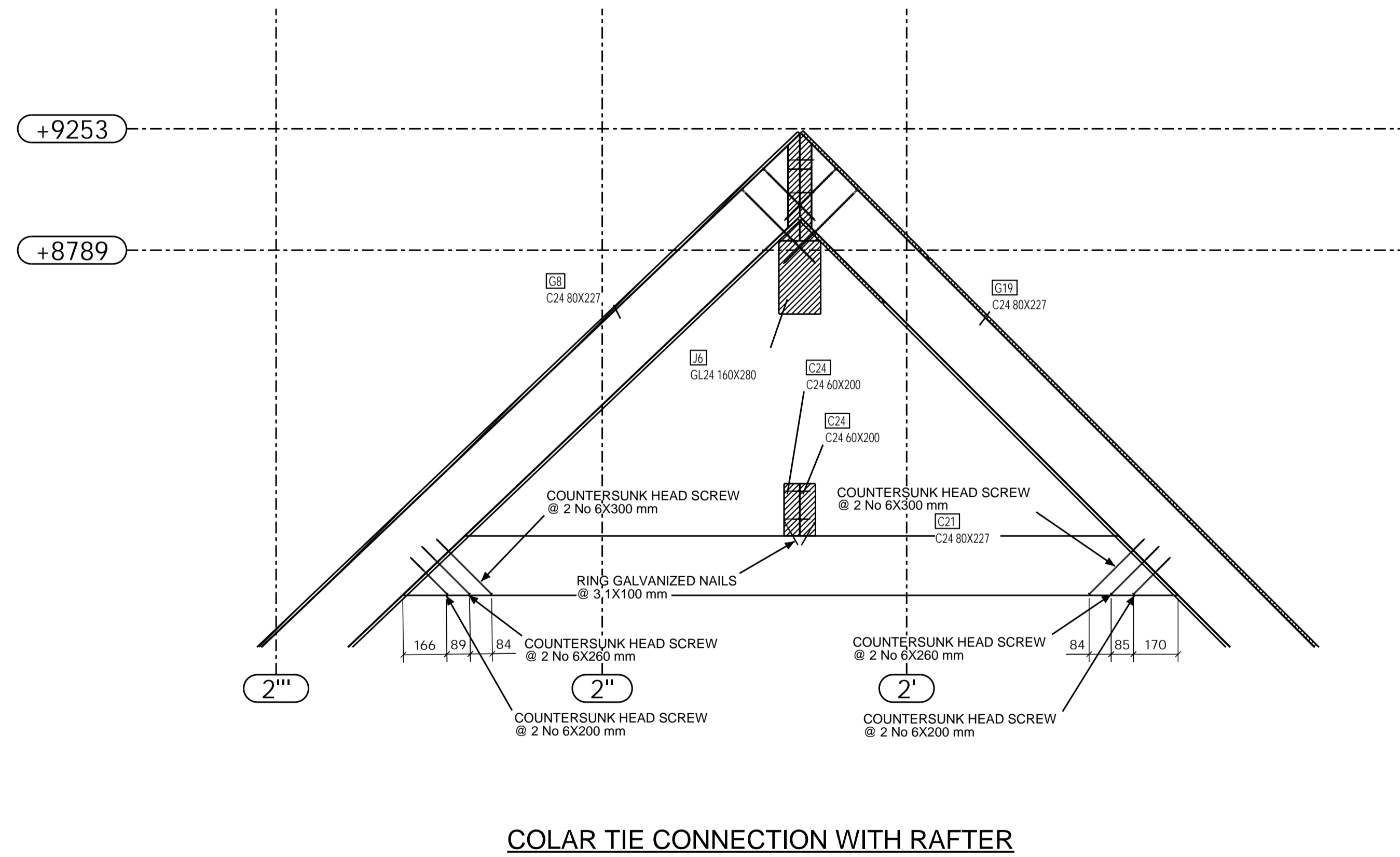
TIMBER CONNECTION WITH STEEL COLUMN ASSEMBLY



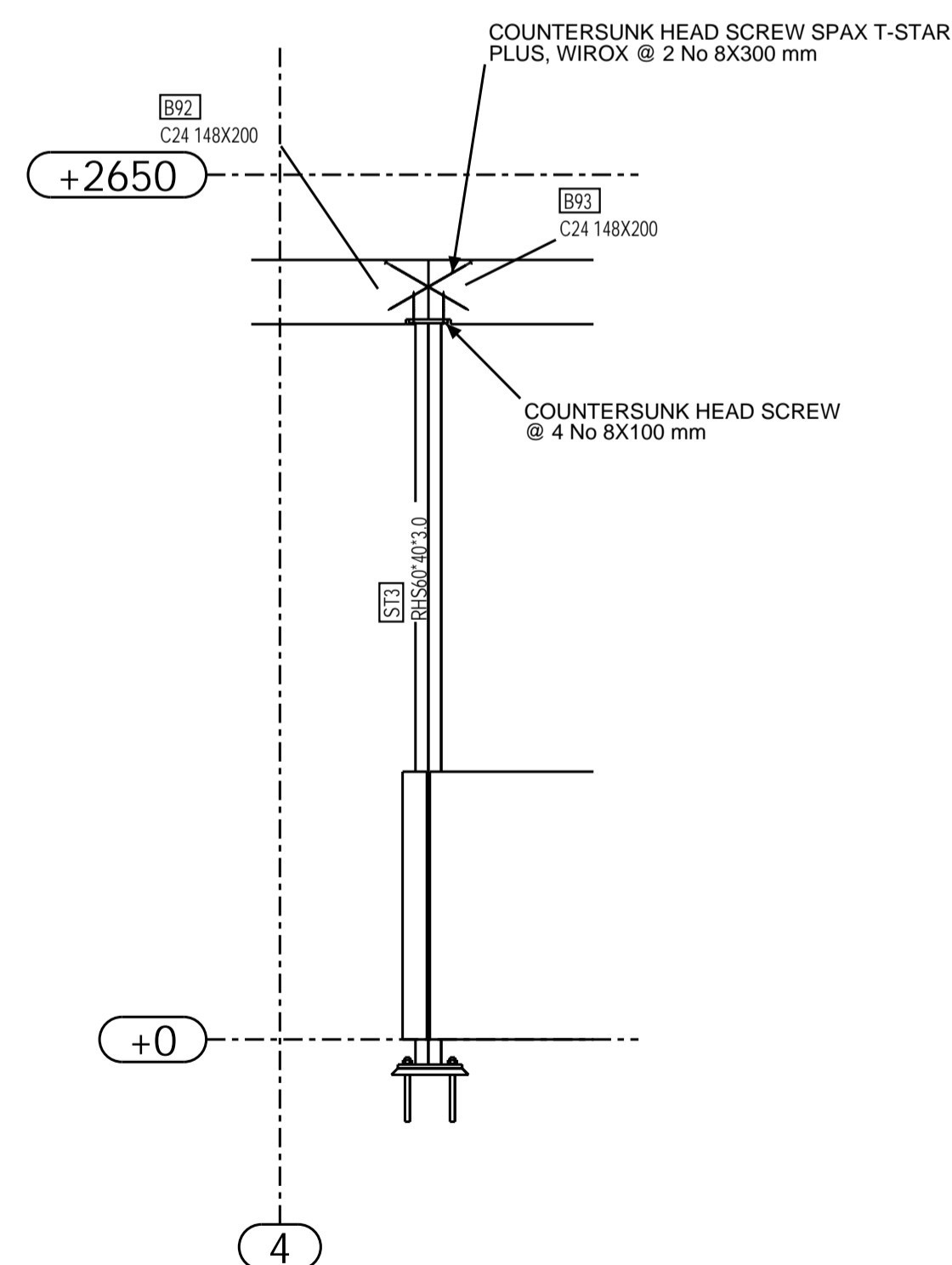
STEEL COLUMN CONNECTION WITH MGO SIP WALL



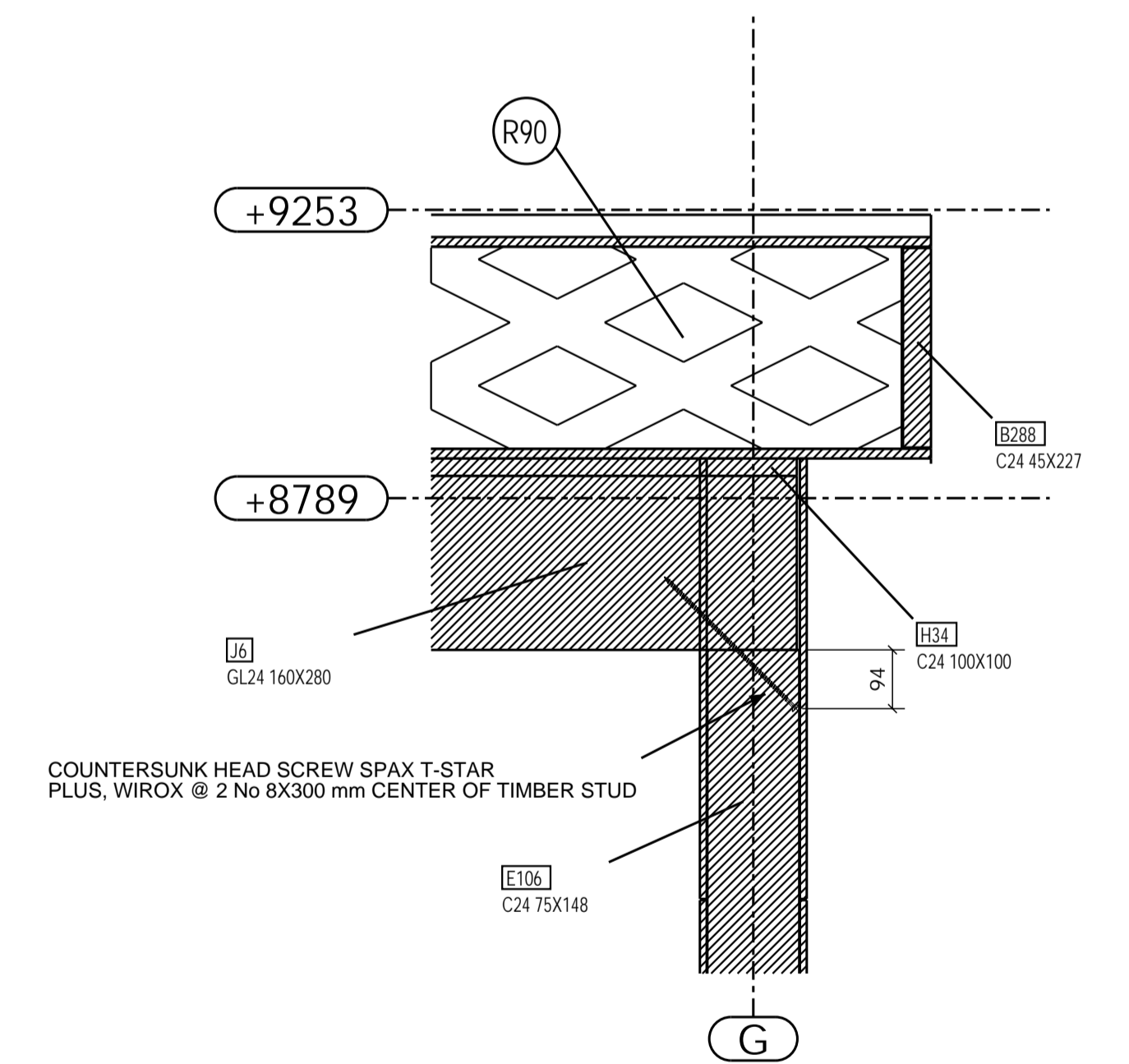
COLAR TIE CONNECTION WITH BEAM AND RAFTER



COLAR TIE CONNECTION WITH RAFTER



TIMBER BEAM CORNER CONNECTION



TIMBER POST CONNECTION WITH RIDGE BEAM

NOTICE:  
EVERY CONNECTION OF TIMBER, EPS AND MGO BOARD  
IS GLUED WITH LOW EXPANSION FOAM

1	CONSTRUCTION ISSUE	23.06.2017
REV MARK	REVISION DESCRIPTION	REVISION DATE
MAG SIP PANEL		
TADLEY, UK		
DRAWING TITLE	DETAILS 2	
CONTRACT	PROPOSED REPLACEMENT HOME	
MODELLED BY	RAFAL RZYK	ISSUE DATE
CONTRACT NO	17-001	SCALE 1:5 1:10 1:15
DRAWING No		REVISION No. 1