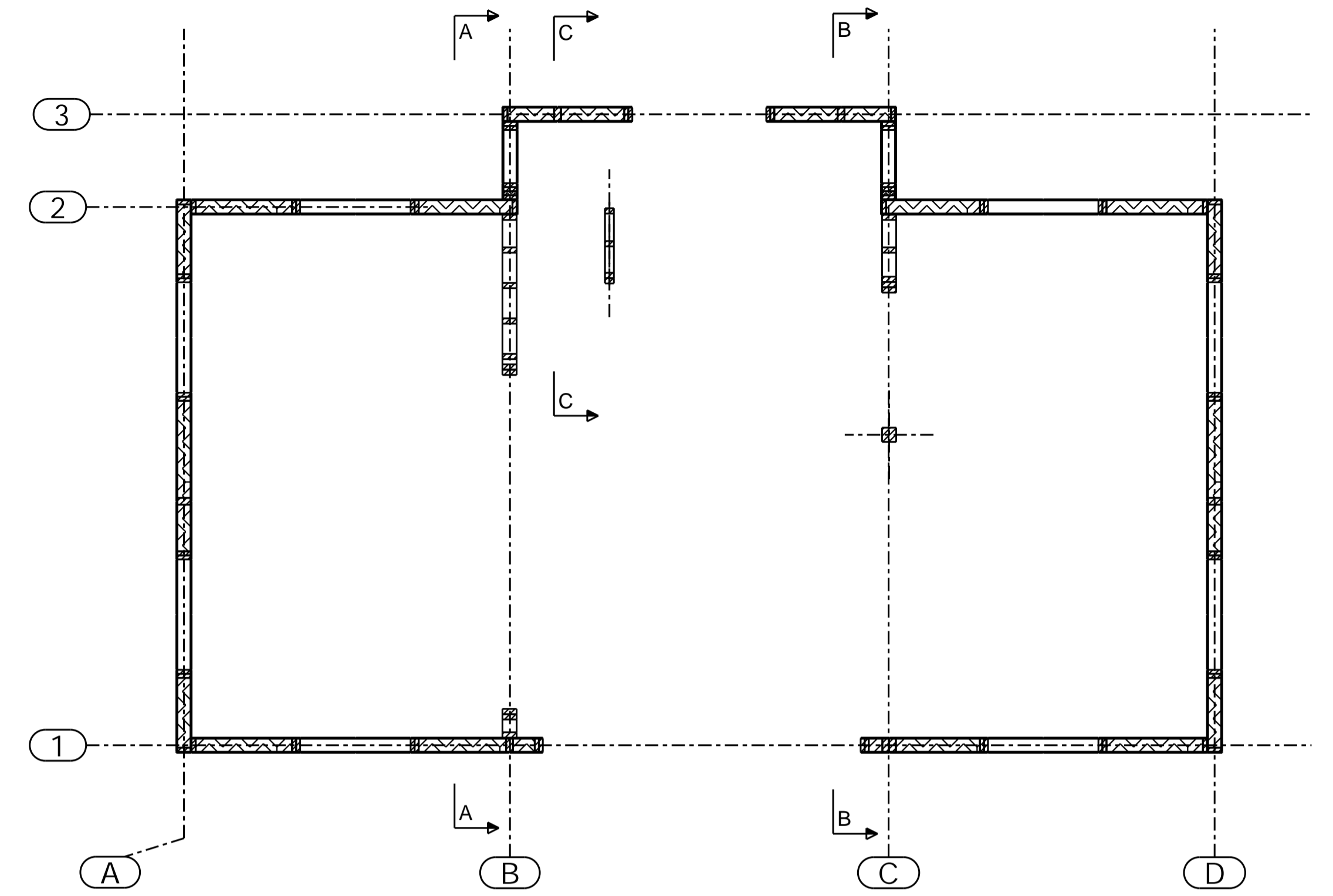
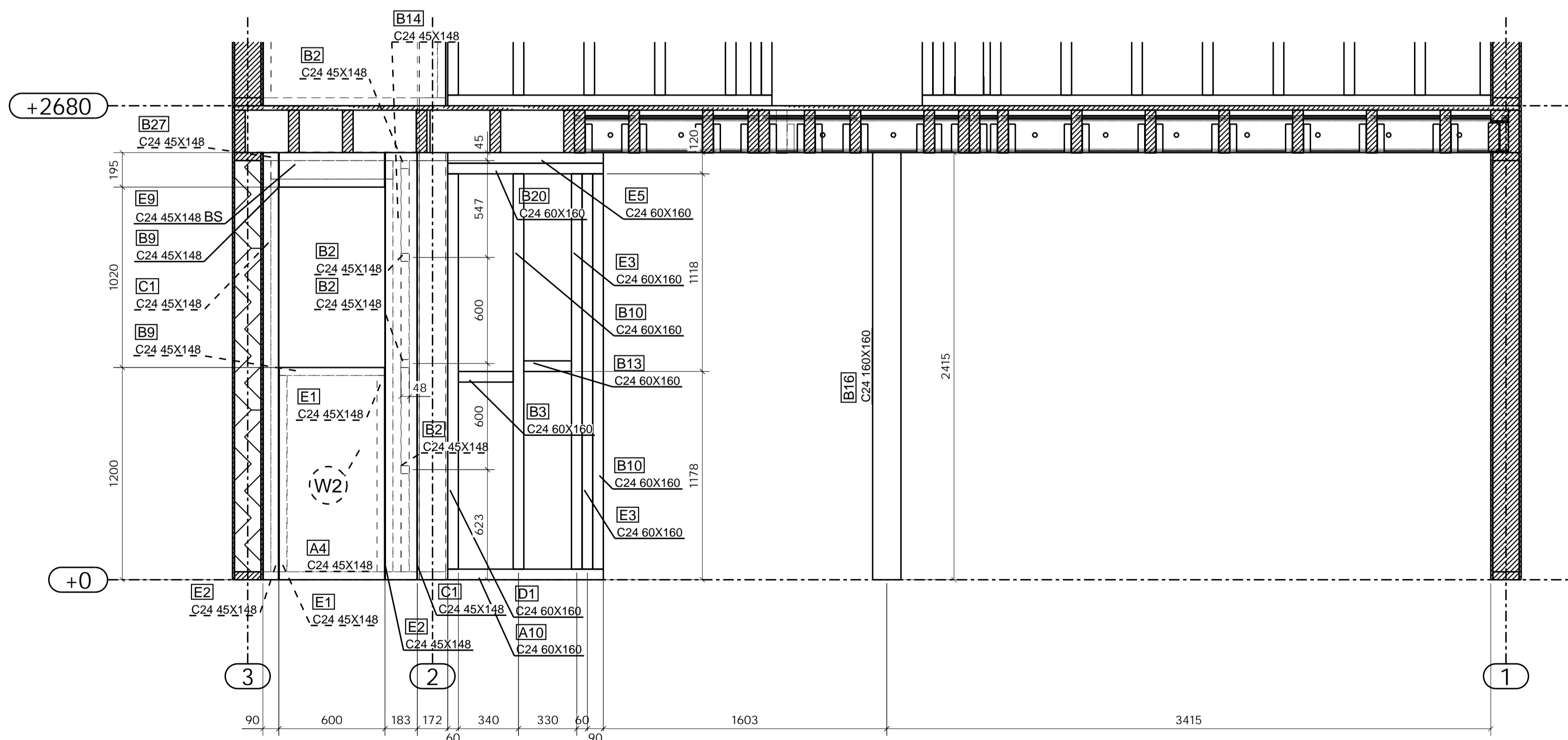


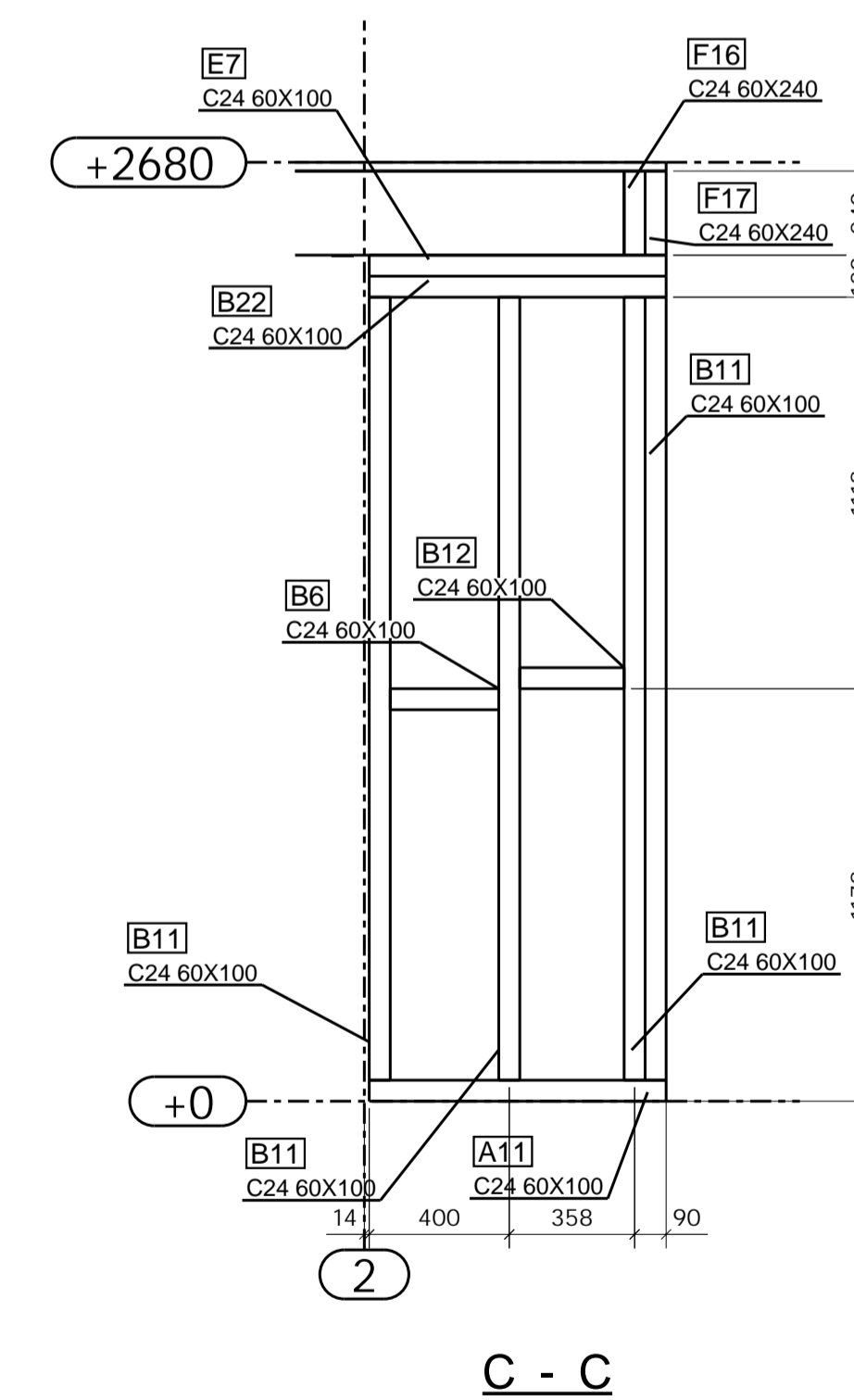
WALL - GRID LINE B (SECTION A)  
1:20



KEY PLAN - GROUND FLOOR  
1:50



WALL - GRID LINE C (SECTION B)  
1:20



C - C

1	CONSTRUCTION ISSUE	07.03.2018
REV MARK	REVISION DESCRIPTION	REVISION DATE
	MAG SIP PANEL	
	BRADFIELD SOUTHEND, UK	
<b>DRAWING TITLE</b>	INTERNALL WALLS - GROUND FLOOR	
<b>CONTRACT</b>	HIP & VALLEY ROOF HOUSE	
<b>MODELLED BY</b>	RAFAL RZYK	<b>ISSUE DATE</b>
<b>CONTRACT NO</b>	18-001	<b>SCALE</b> 1:20 1:50
<b>DRAWING No</b>	GA 09	<b>REVISION No.</b> 1