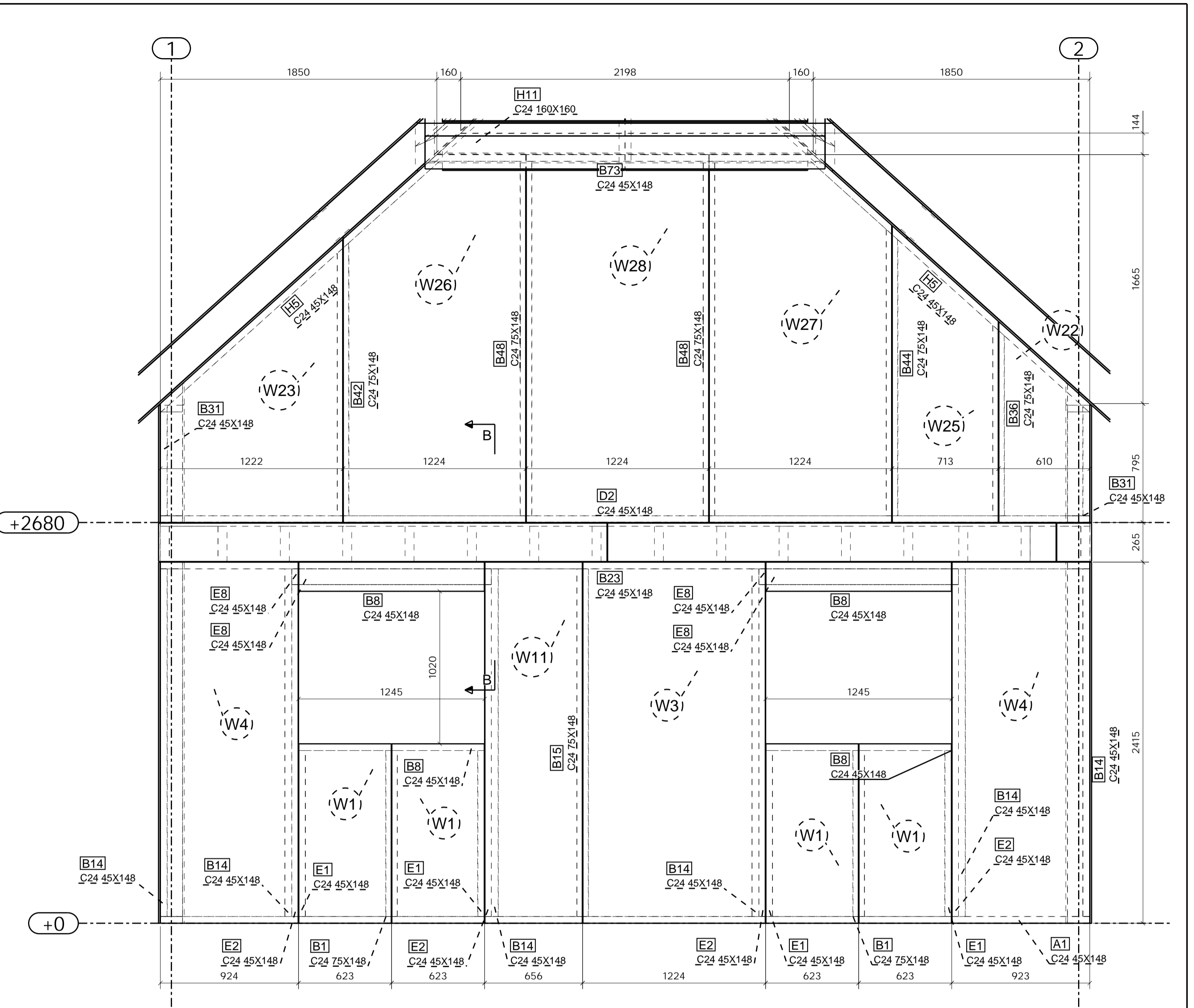
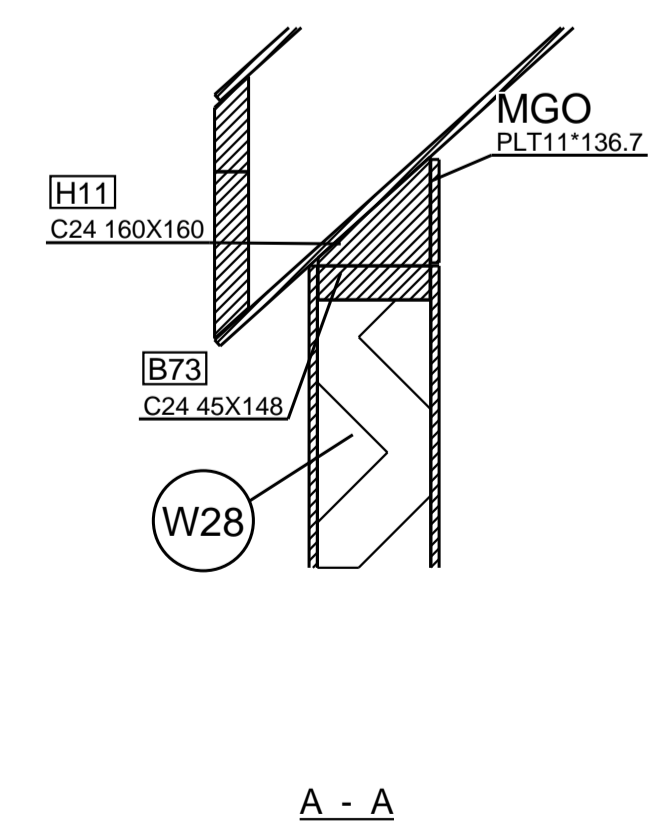


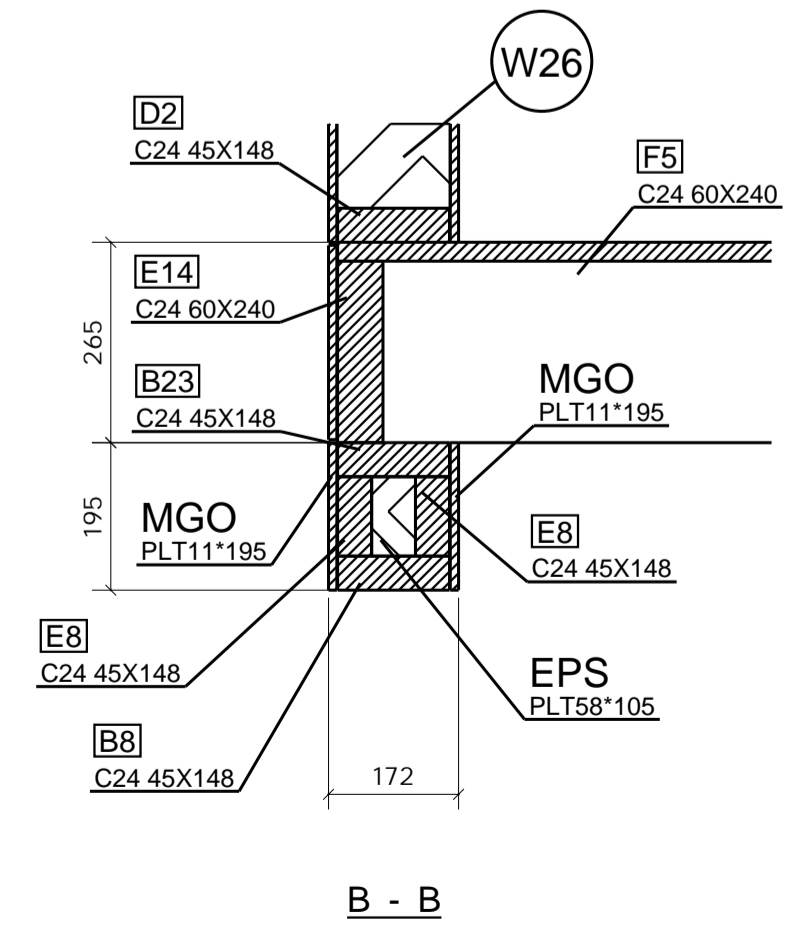
WALL GRID LINE A
1:20



WALL GRID LINE D
1:20



A - A



B - B

1	CONSTRUCTION ISSUE	07.03.2018
REV MARK	REVISION DESCRIPTION	REVISION DATE
MAG SIP PANEL		
BRADFIELD SOUTHEND, UK		
DRAWING TITLE	WALLS (GRID LINE A&D)	
CONTRACT	HIP & VALLEY ROOF HOUSE	
MODELLED BY	RAFAL RZYK	ISSUE DATE
CONTRACT NO	18-001	SCALE 1:10 1:20
DRAWING No	GA 08	REVISION No. 1