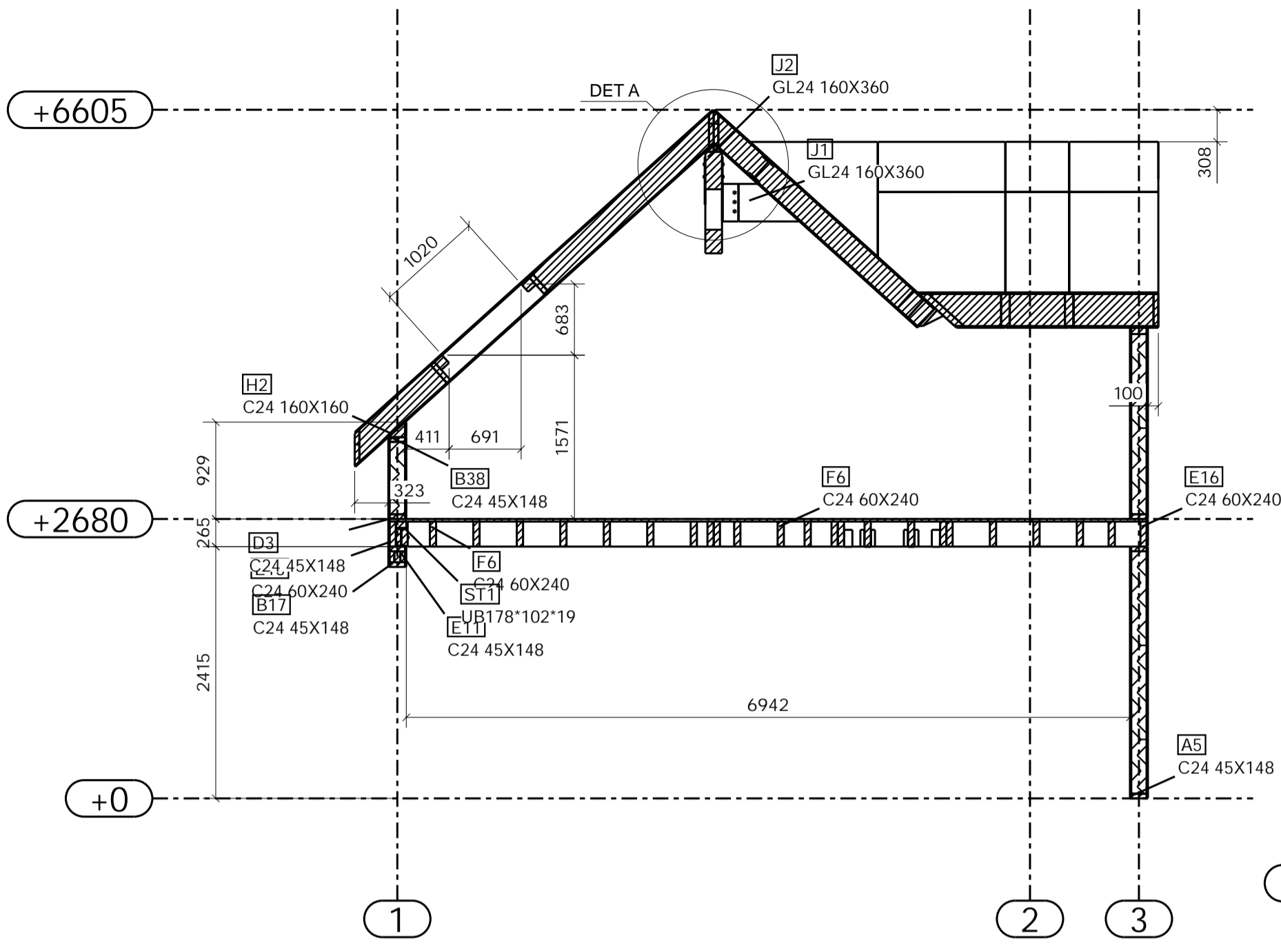
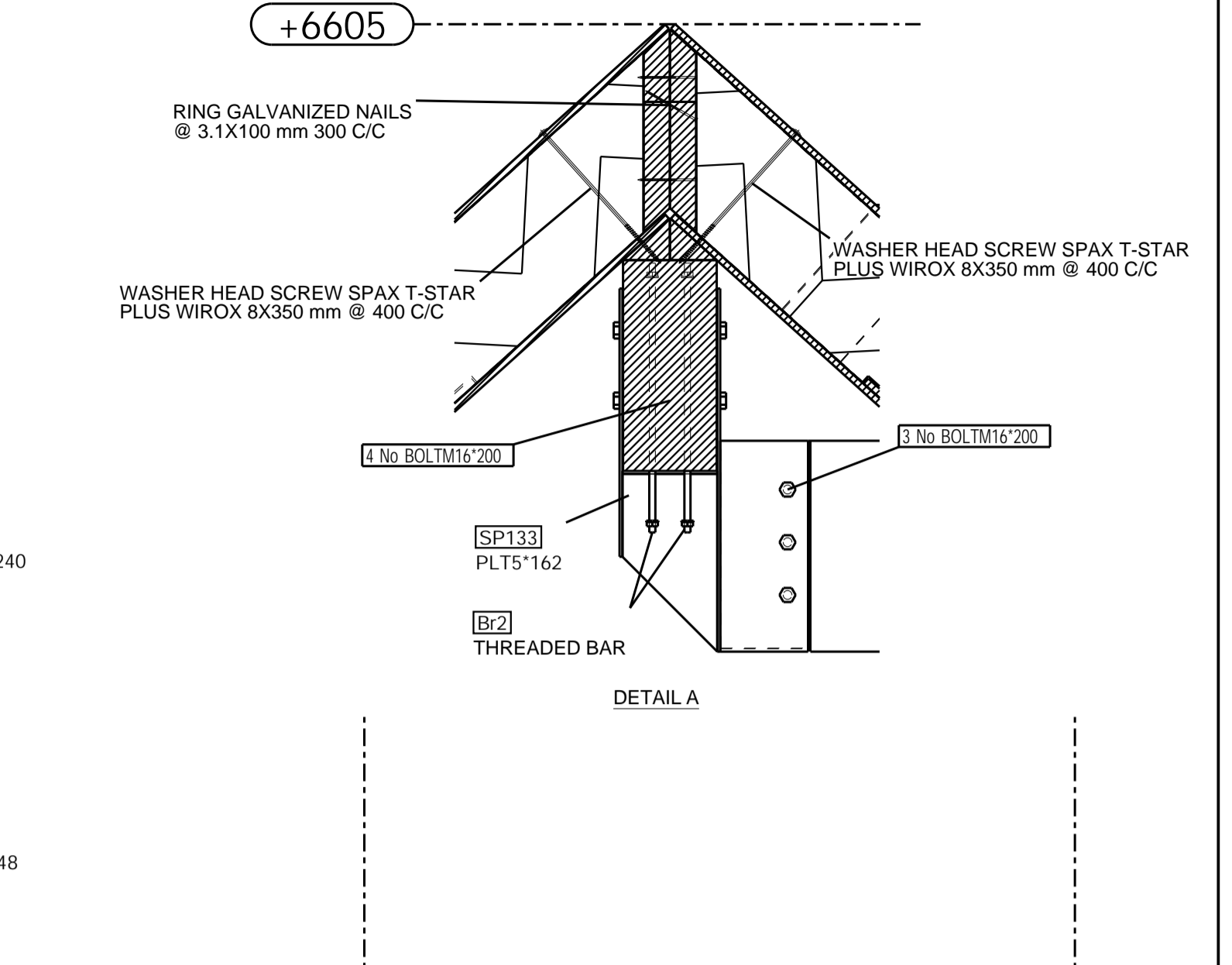


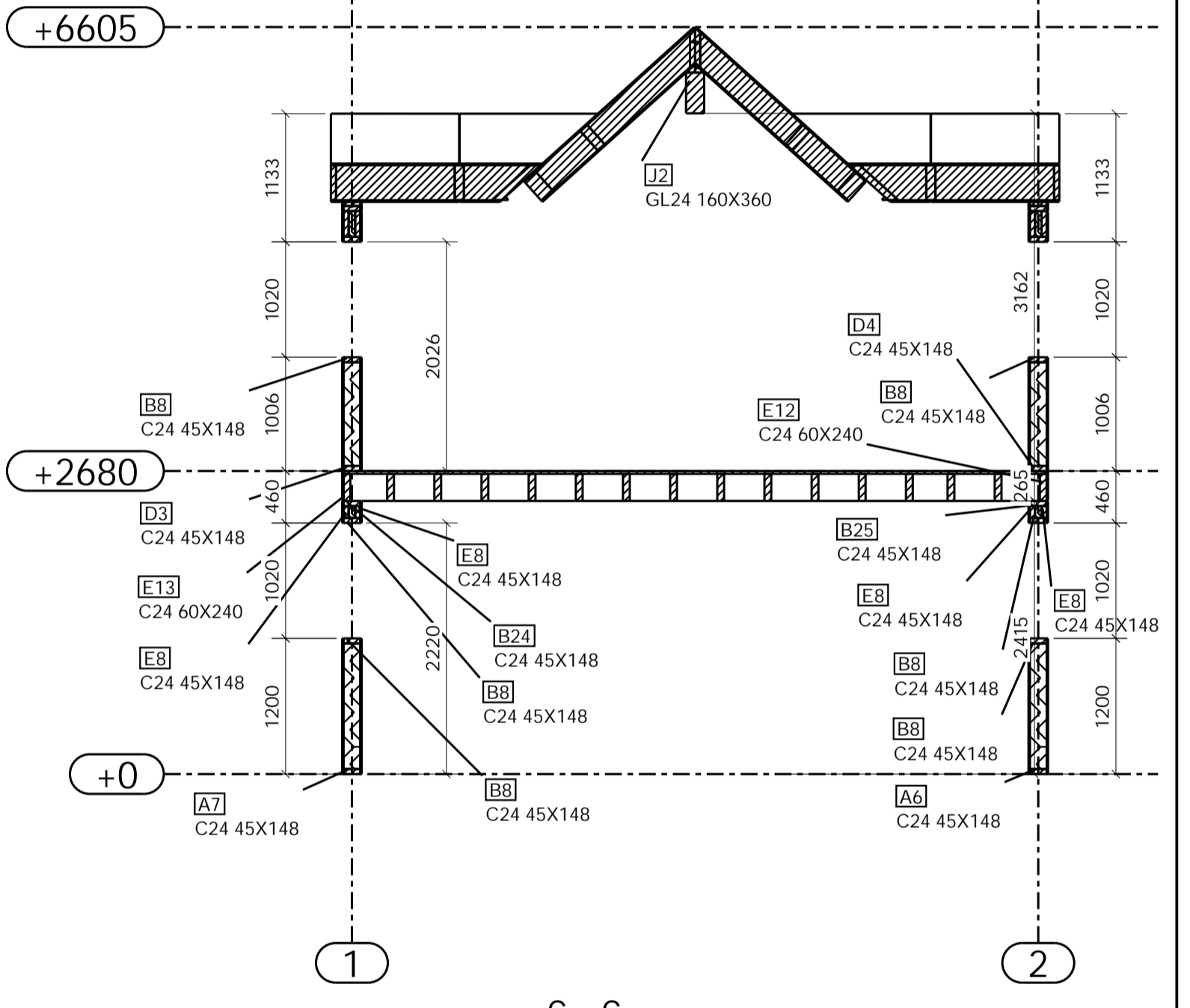
B - B



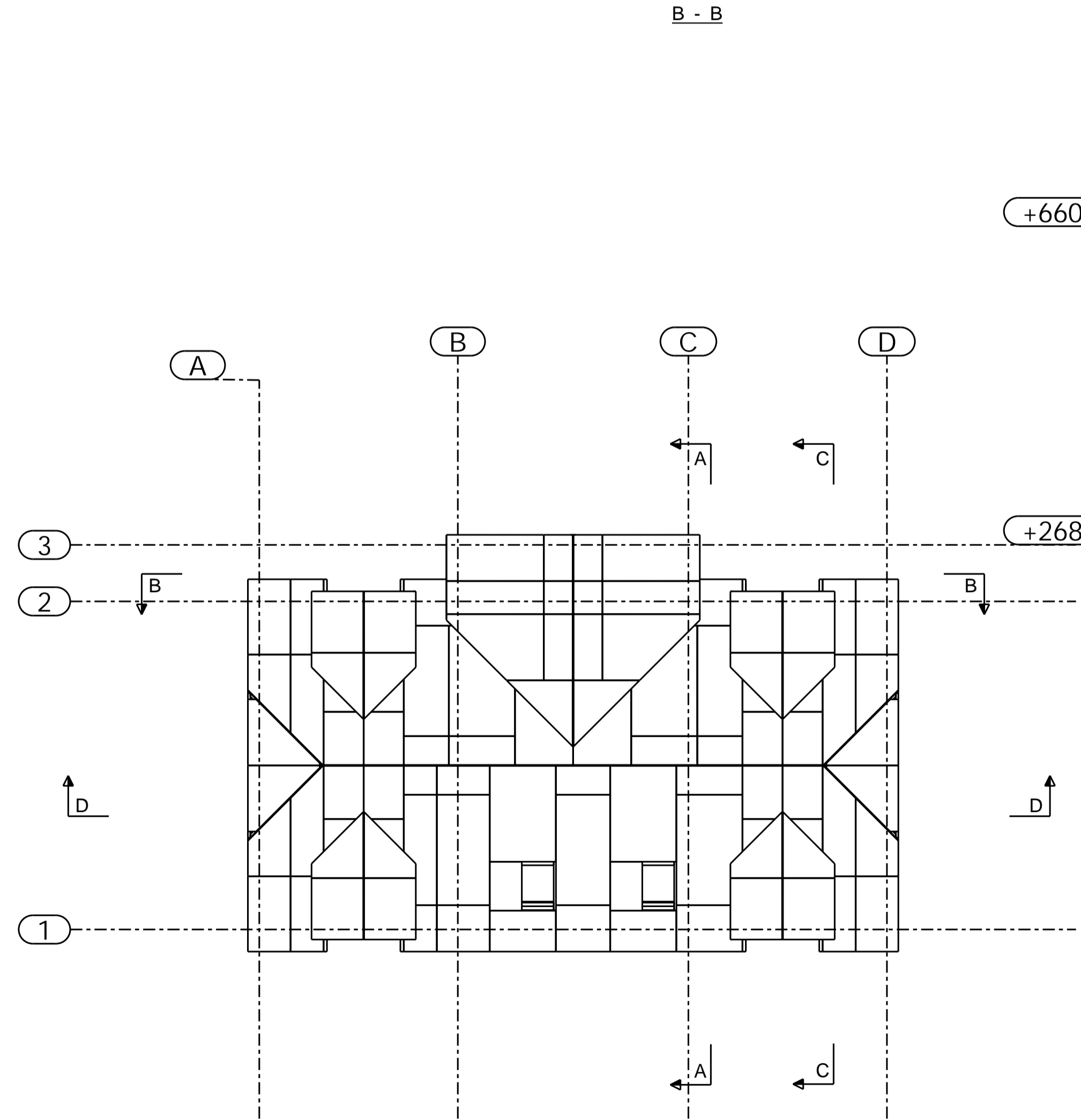
A - A



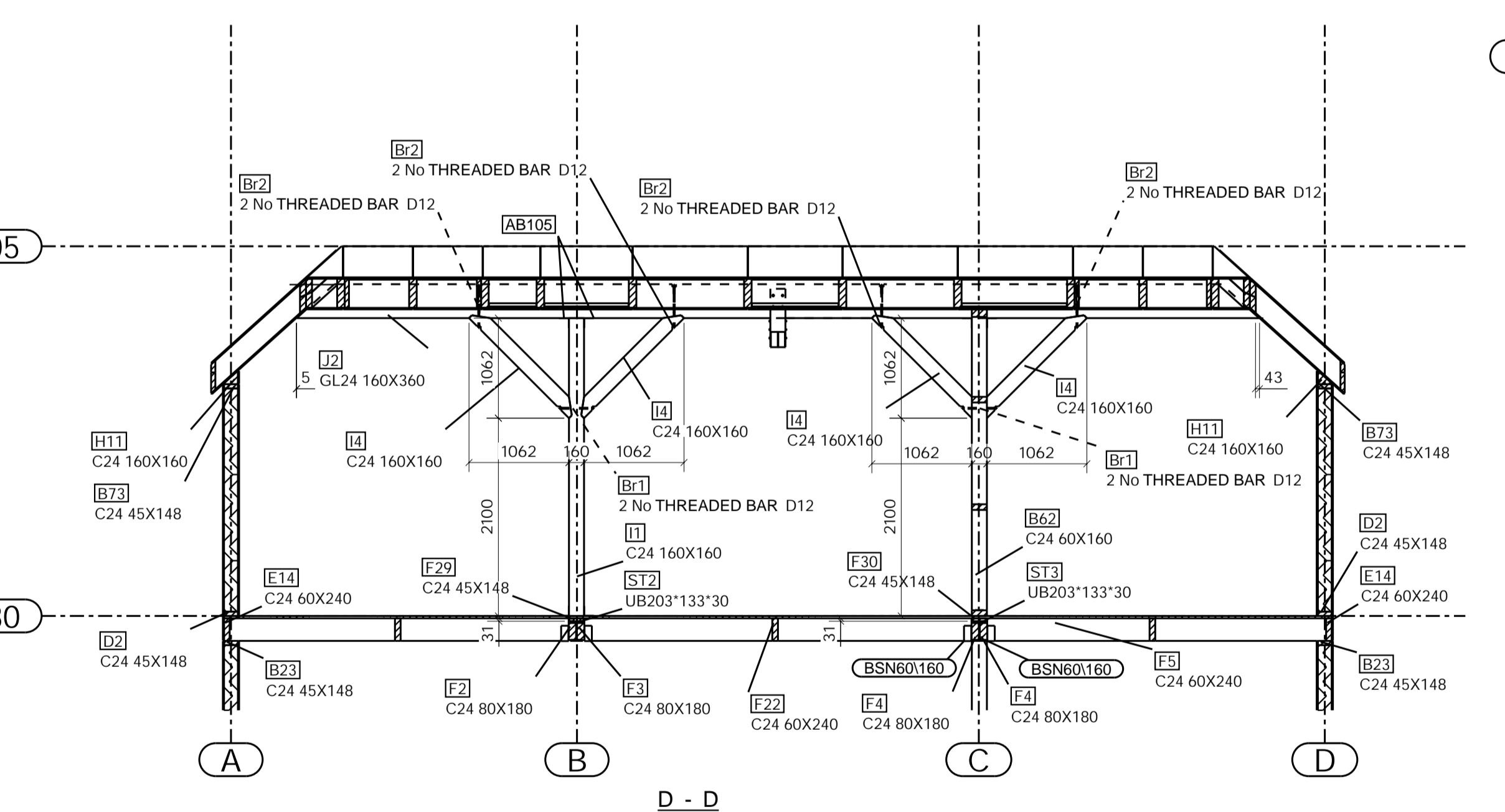
DETAIL A



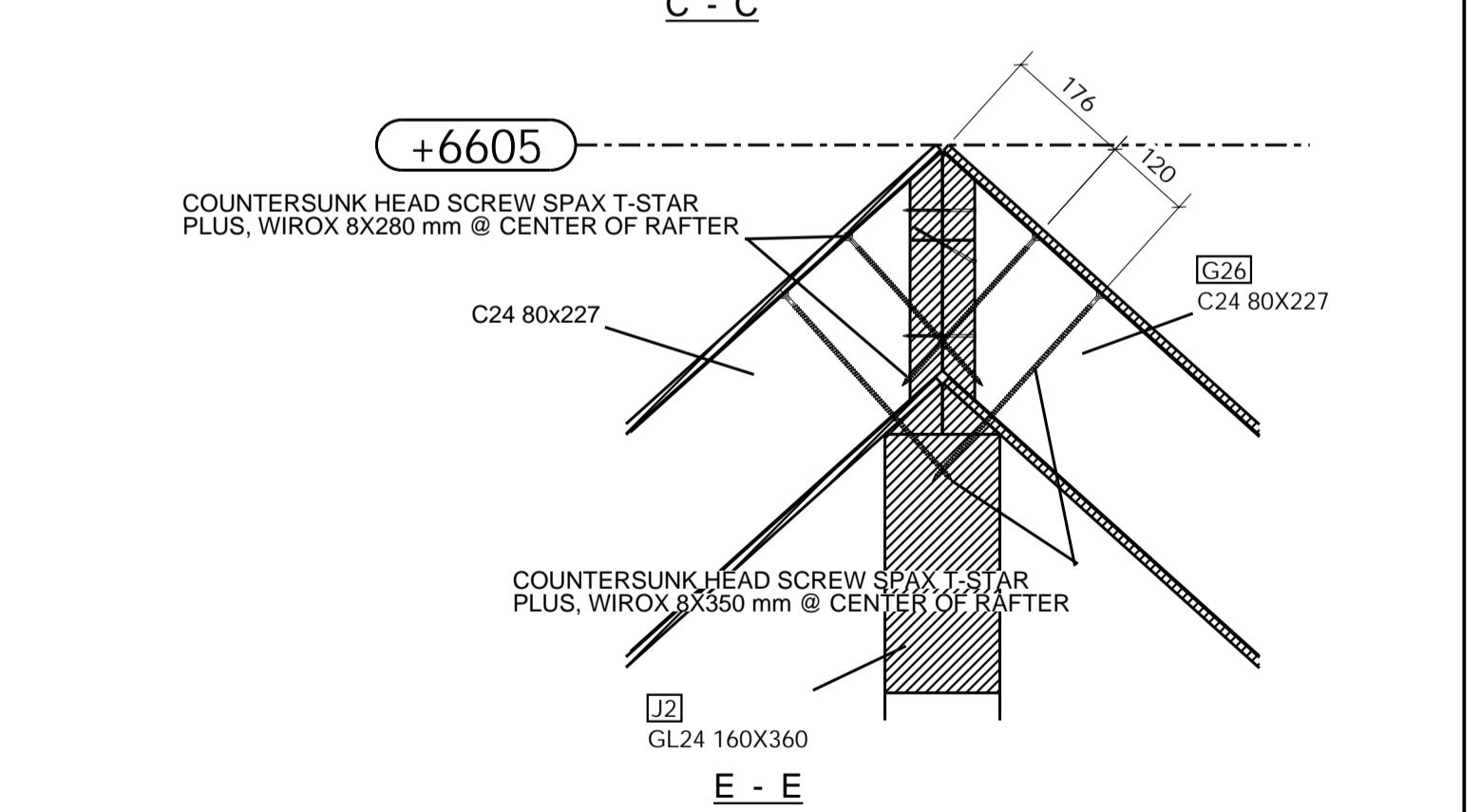
C - C



ROOF PLAN  
1:75



D - D



E - E

2	CONSTRUCTION ISSUE	07.03.2018
1	APPROVAL ISSUE	31.01.2018
REV MARK	REVISION DESCRIPTION	REVISION DATE
MAG SIP PANEL		
BRADFIELD SOUTHEND, UK		
<b>DRAWING TITLE</b>	ROOF PLAN AND SECTIONS	
<b>CONTRACT</b>	HIP & VALLEY ROOF HOUSE	
<b>MODELLED BY</b>	RAFAL RYZYK	<b>ISSUE DATE</b>
<b>CONTRACT NO</b>	18-001	<b>SCALE</b> 1:10 1:50 1:75
<b>DRAWING No</b>	GA 04	<b>REVISION No.</b> 2