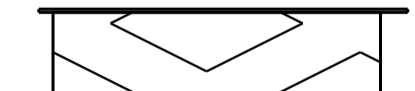


FIRST FLOOR PLAN
1:25

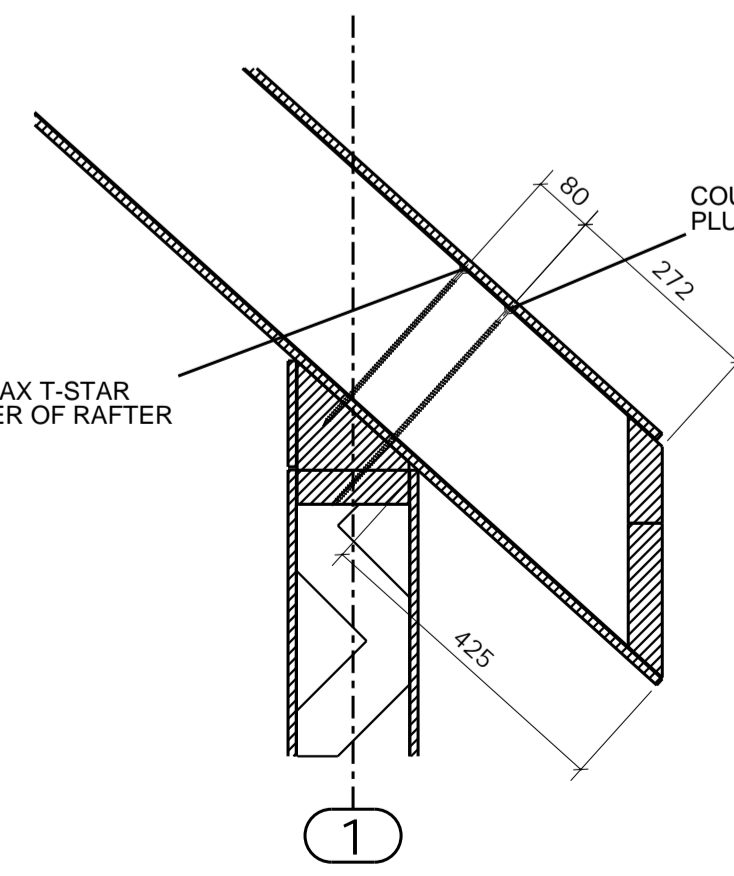


MGO SIP PANEL W 17 M-M



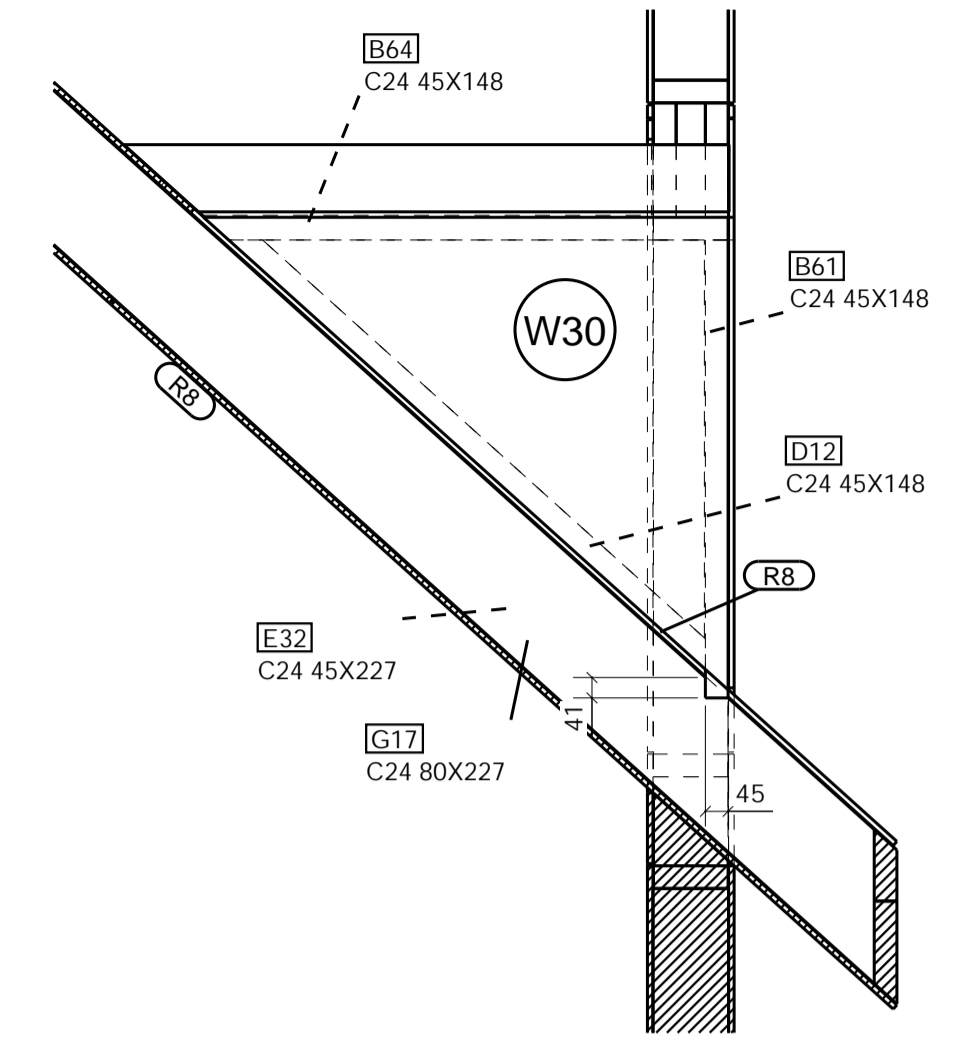
MGO SIP PANEL W 25 M-M

COUNTERSUNK HEAD SCREW SPAX T-STAR
PLUS, WIROX 8X280 mm @ CENTER OF RAFTER

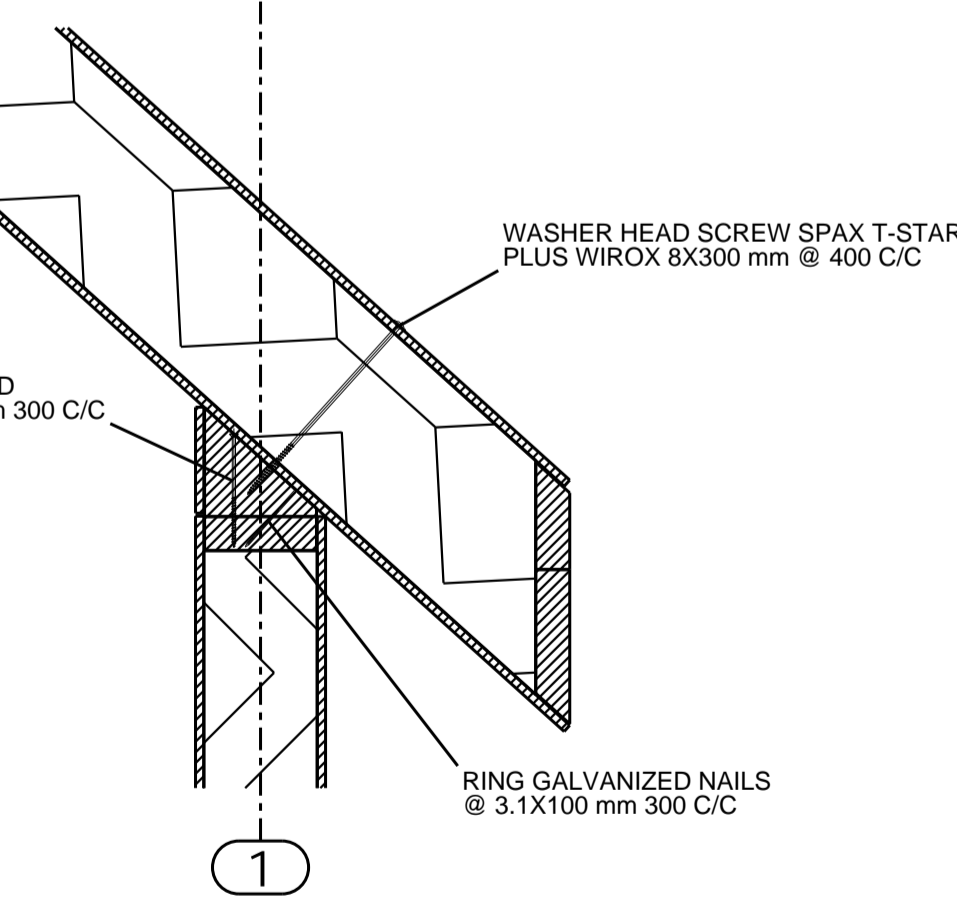
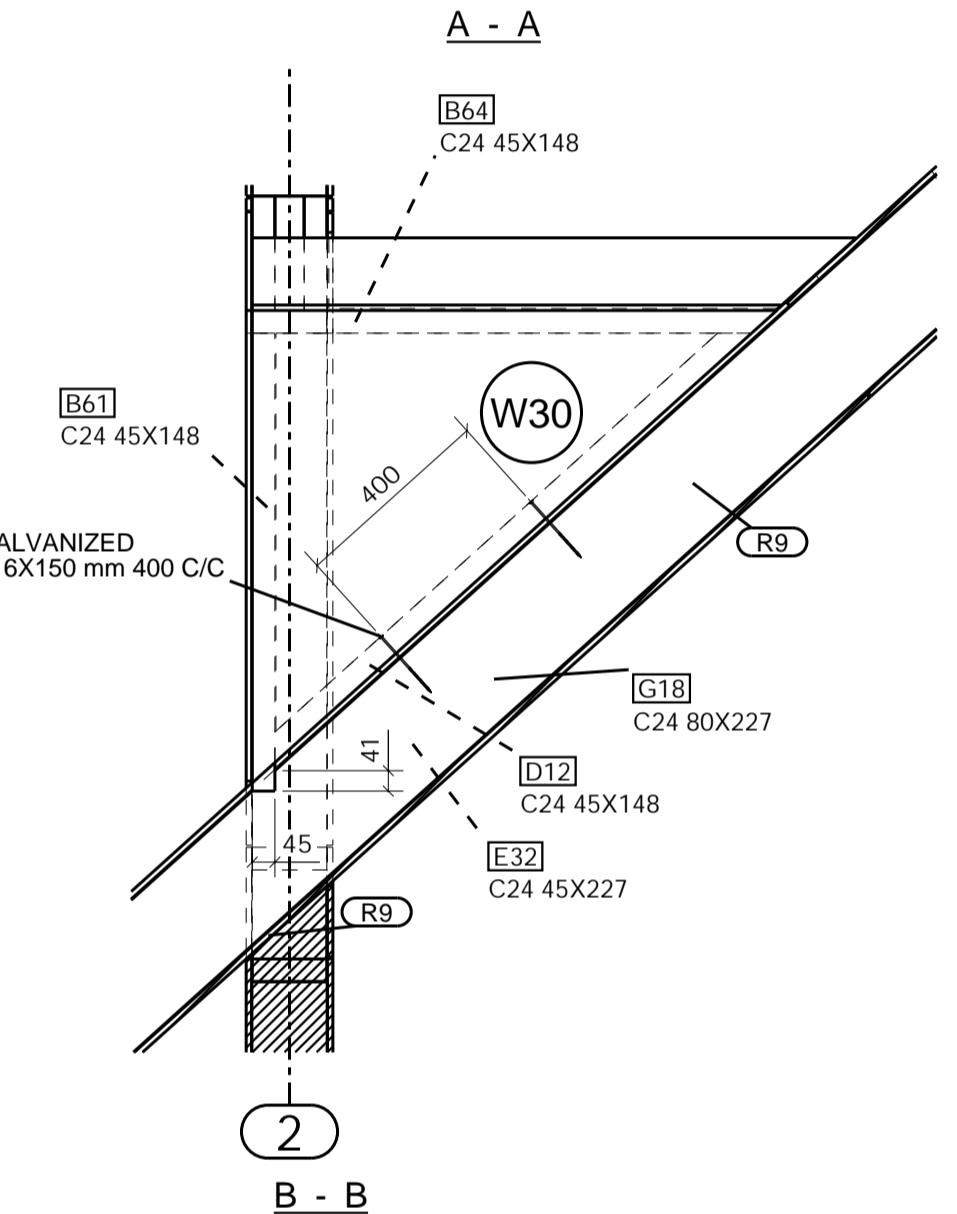


**ROOF MGO SIP CONNECTION WITH
MGO SIP/STUD WALL/RIDGE BEAM - STANDARD DETAIL**

COUNTERSUNK HEAD SCREW SPAX T-STAR
PLUS, WIROX 8X350 mm @ CENTER OF RAFTER



FLAT COUNTERSUNK GALVANIZED
SCREW STAGGERED @ 6X150 mm 400 C/C



WASHER HEAD SCREW SPAX T-STAR
PLUS WIROX 8X300 mm @ 400 C/C

RING GALVANIZED NAILS
@ 3.1X100 mm 300 C/C

**ROOF MGO SIP CONNECTION WITH
MGO SIP/STUD WALL - STANDARD CONNECTION**

2	CONSTRUCTION ISSUE	07.03.2018
1	APPROVAL ISSUE	31.01.2018
REV MARK	REVISION DESCRIPTION	REVISION DATE
MAG SIP PANEL		
BRADFIELD SOUTHEND, UK		
DRAWING TITLE	FIRST FLOOR PLAN	
CONTRACT	HIP & VALLEY ROOF HOUSE	
MODELLED BY	RAFAL RZYK	ISSUE DATE
CONTRACT NO	18-001	SCALE 1:10 1:15 1:25
DRAWING No	GA 03	REVISION No. 2