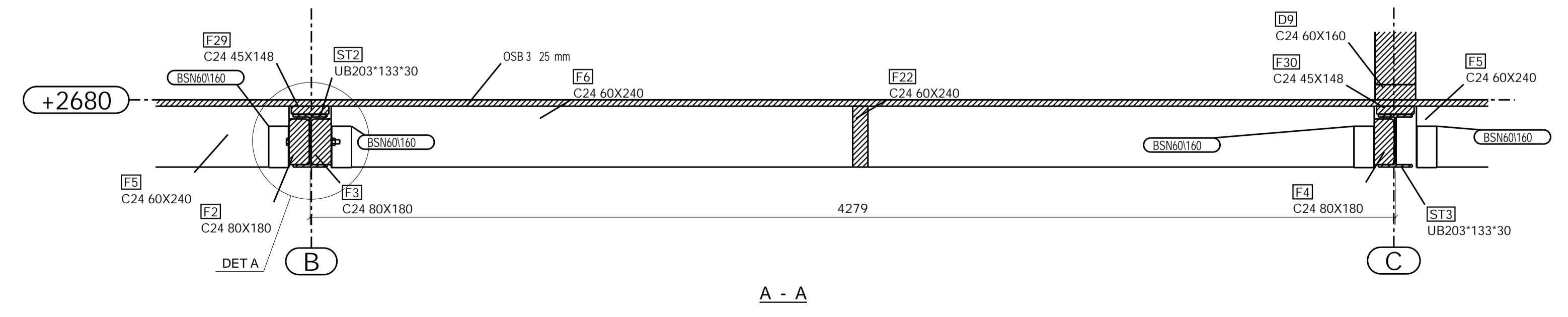
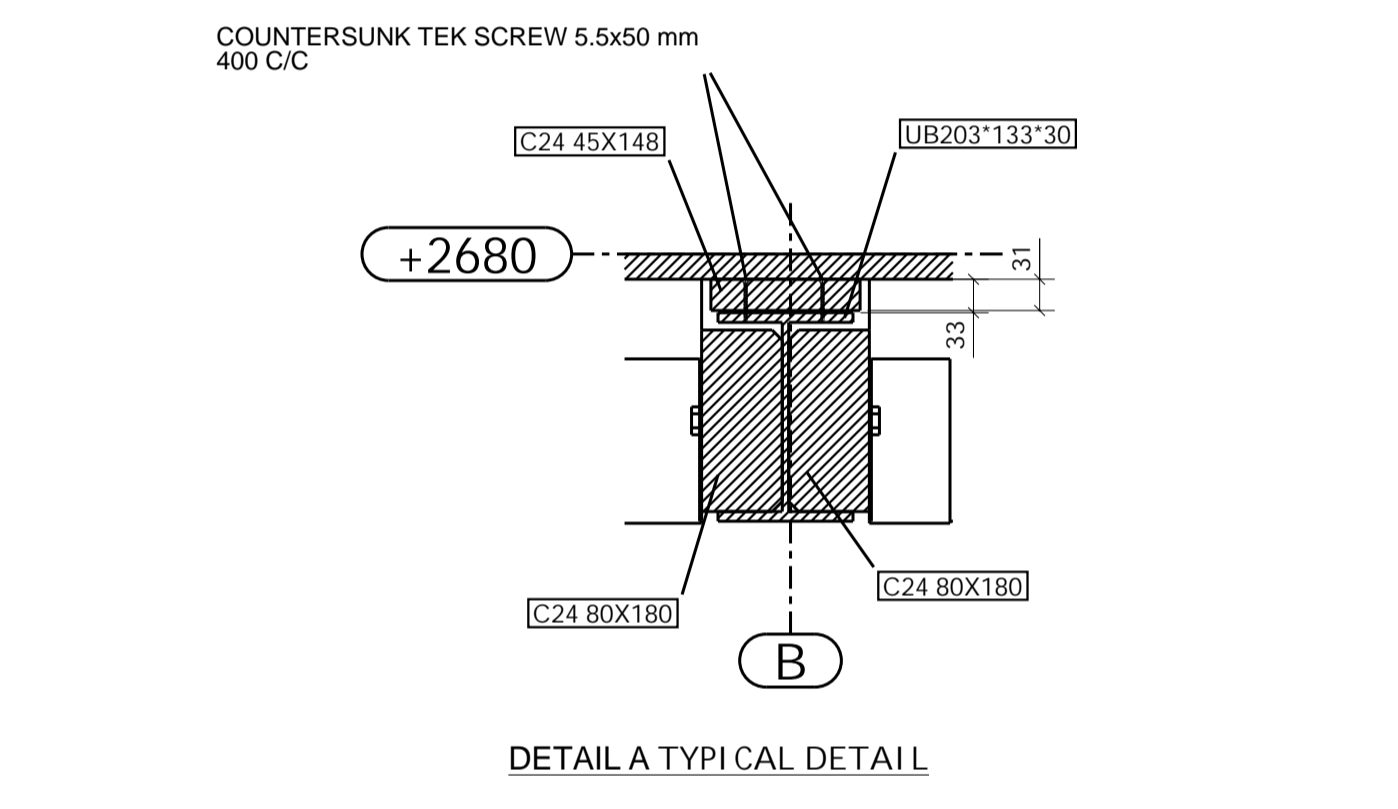
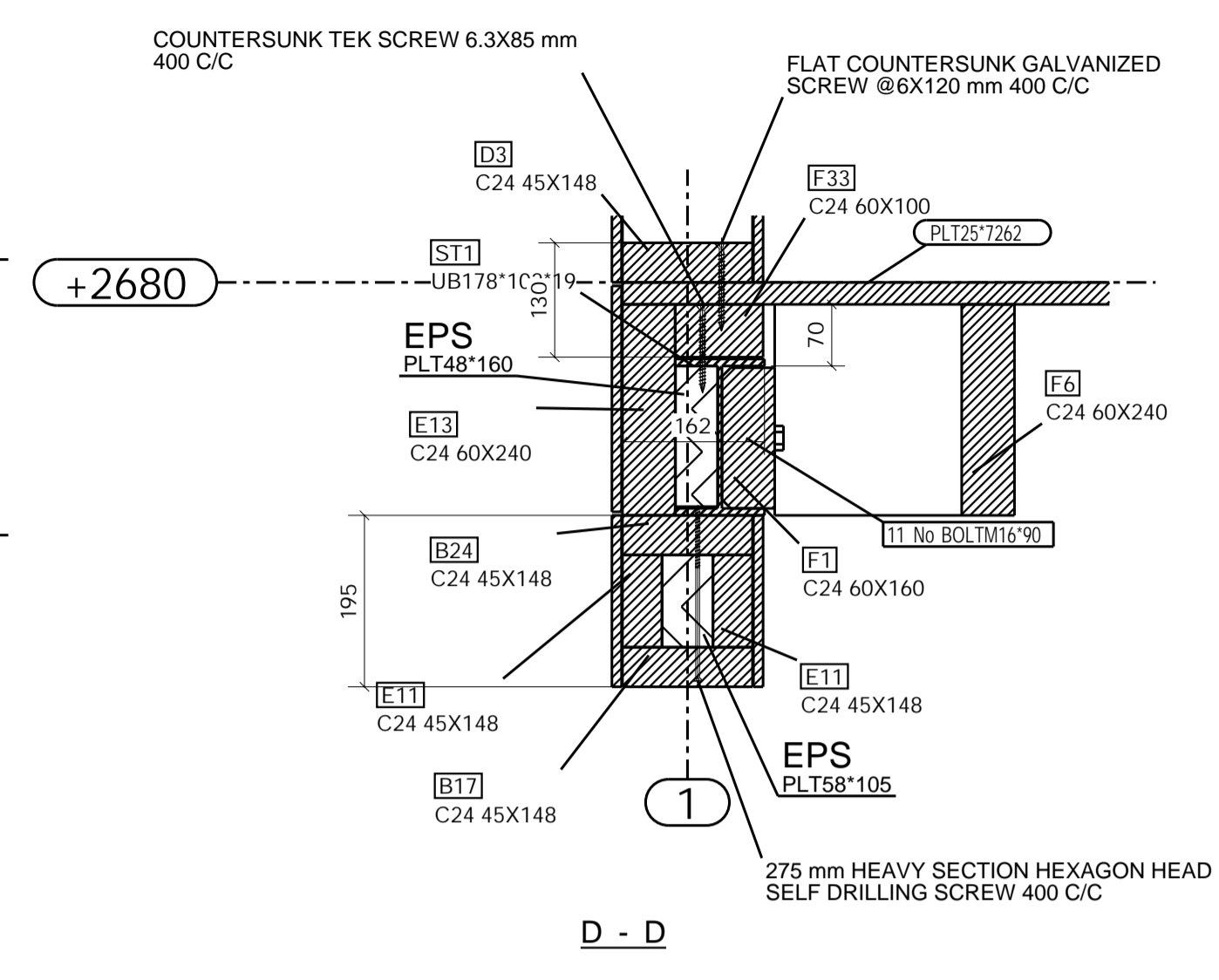


TIMBER JOIST C24 60x240 mm

FLOOR PLAN
1:25



2	CONSTRUCTION ISSUE	07.03.2018
1	APPROVAL ISSUE	31.01.2018
REV MARK	REVISION DESCRIPTION	REVISION DATE
MAG SIP PANEL		
BRADFIELD SOUTHEND, UK		
DRAWING TITLE	FLOOR PLAN	
CONTRACT	HIP & VALLEY ROOF HOUSE	
MODELLED BY	RAFAL RYZYK	ISSUE DATE
CONTRACT NO	18-001	SCALE 1:7.5 1:10 1:15
DRAWING No	GA 02	REVISION No. 2