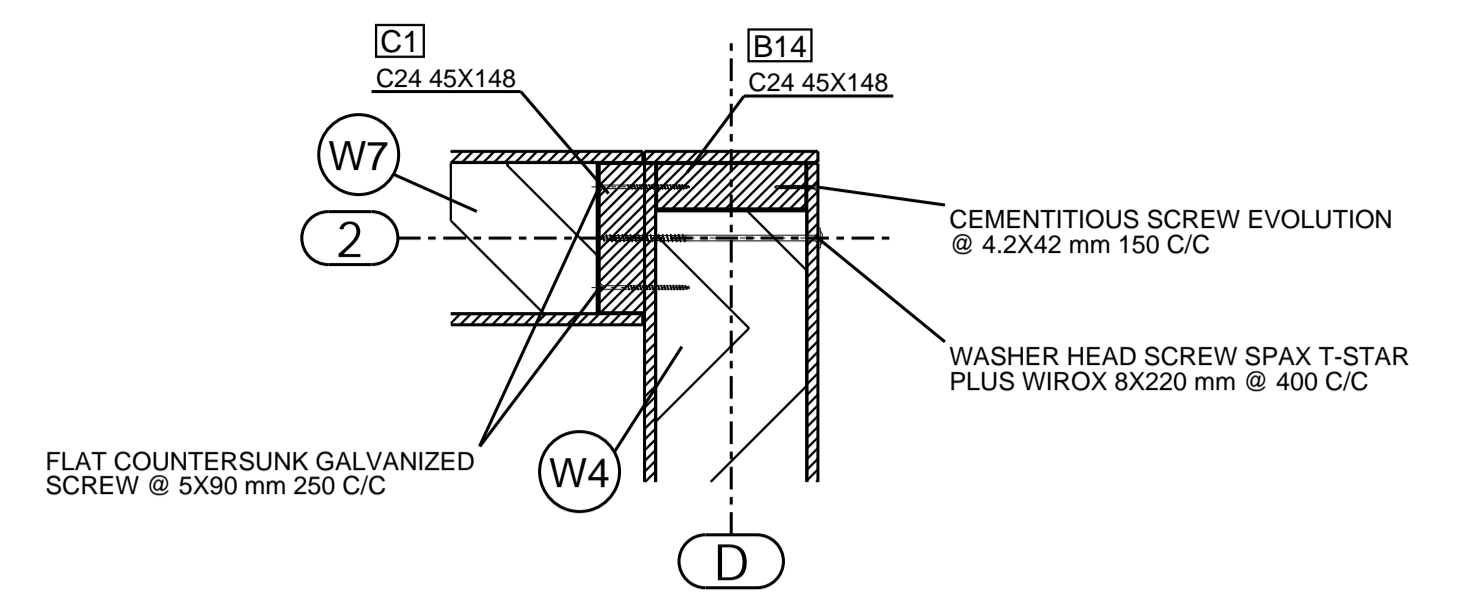
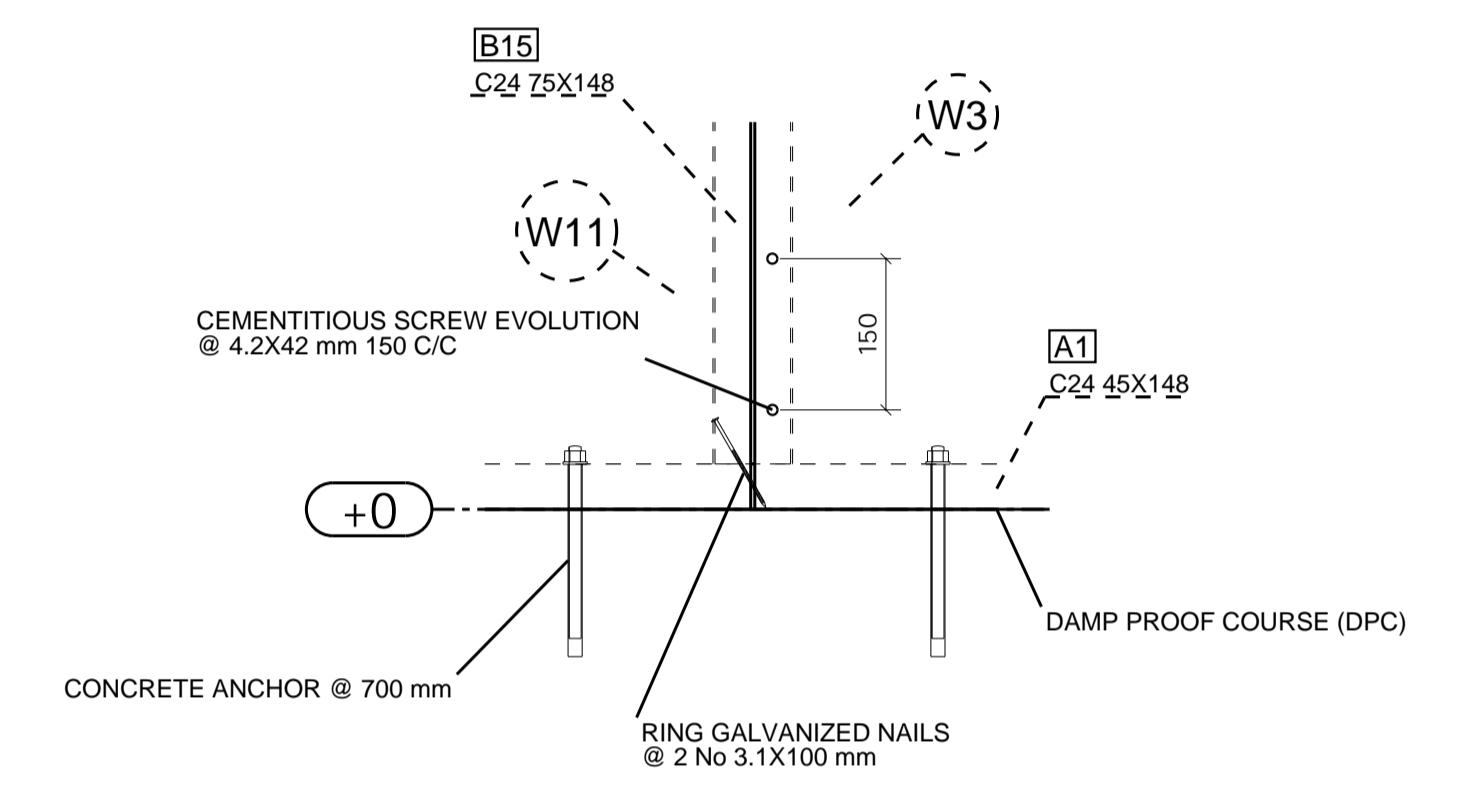


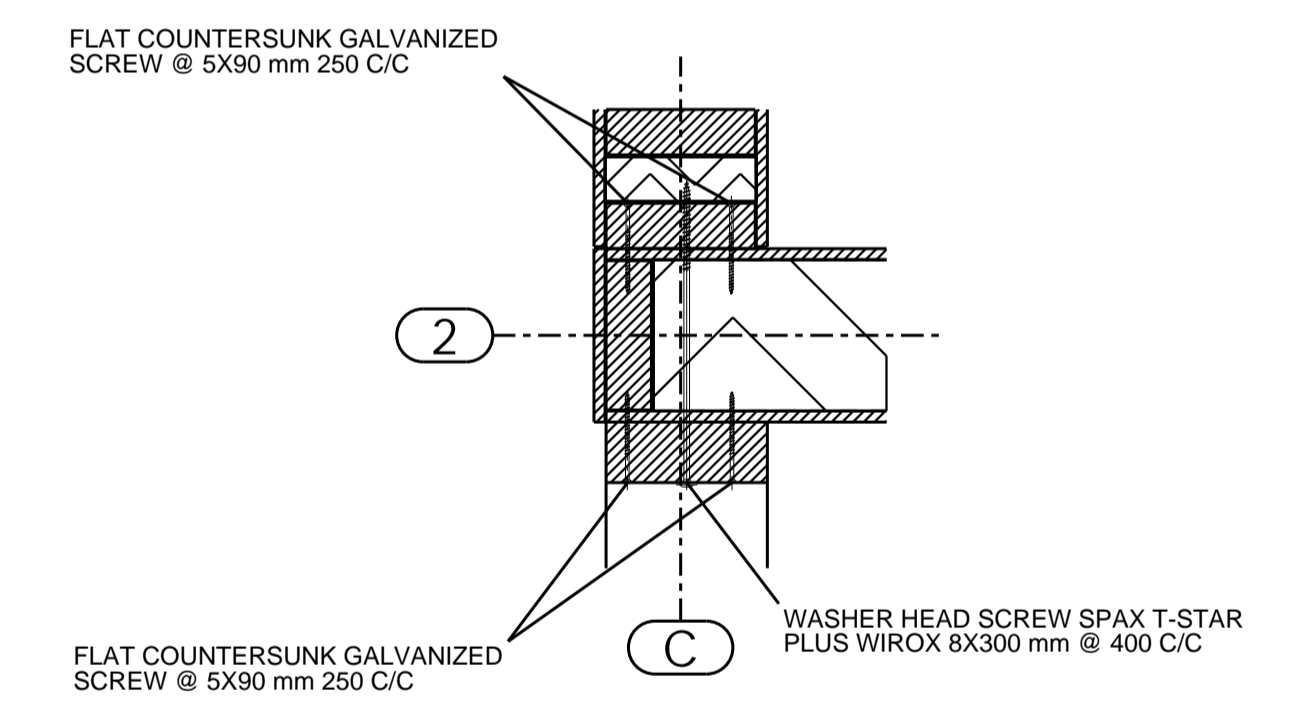
GROUND FLOOR PLAN
1:25



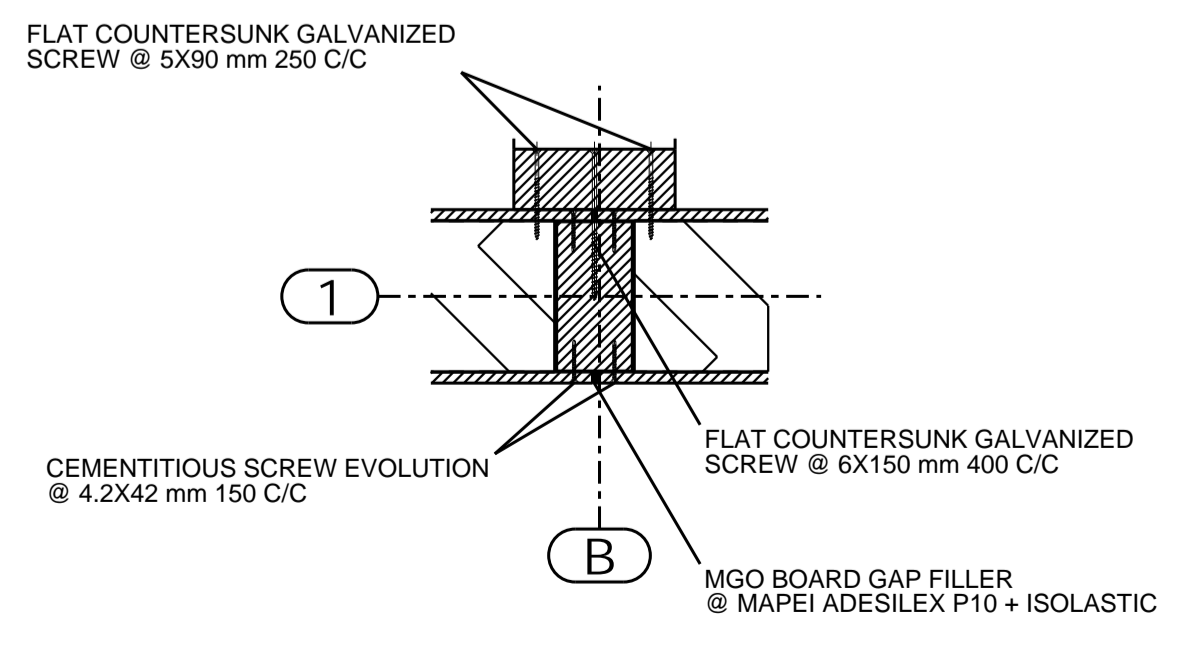
C STUD - STANDARD DETAIL OF MGO SIP CORNER



A PLATE AND B STUD - STANDARD DETAIL



WALL CORNER CONNECTION WITH INTERNAL WALL - STANDARD DETAIL



A DETAIL - STANDARD CONNECTION

2	CONSTRUCTION ISSUE	07.03.2018
1	APPROVAL ISSUE	31.01.2018
REV MARK	REVISION DESCRIPTION	REVISION DATE
MAG SIP PANEL		
BRADFIELD SOUTHEND, UK		
DRAWING TITLE	GROUND FLOOR PLAN	
CONTRACT	HIP & VALLEY ROOF HOUSE	
MODELLED BY	RAFAL RYZYK	ISSUE DATE
CONTRACT NO	18-001	SCALE 1:7.5 1:20 1:25
DRAWING No	GA 01	REVISION No. 2

Taka Structures